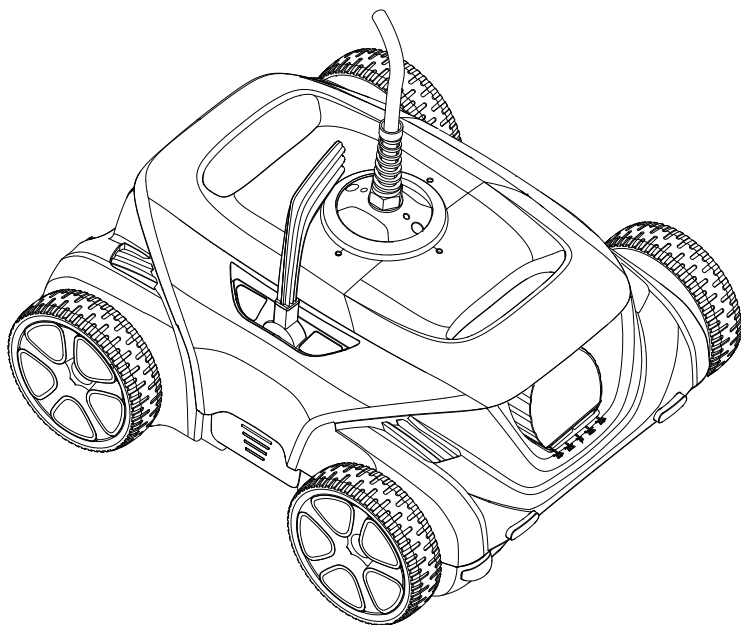


APIER®

ROBOTIC POOL CLEANER

User Manual

Orca 800 Mate



Thank you for choosing Aiper robotic pool cleaner.

You have joined millions of people to enjoy the convenience of robotic pool cleaning.

This user manual helps you to keep your robot performing at its best. Please take a few moments to read through it.

If you have any questions, please contact our customer service for assistance or visit www.aiper.com for more information.

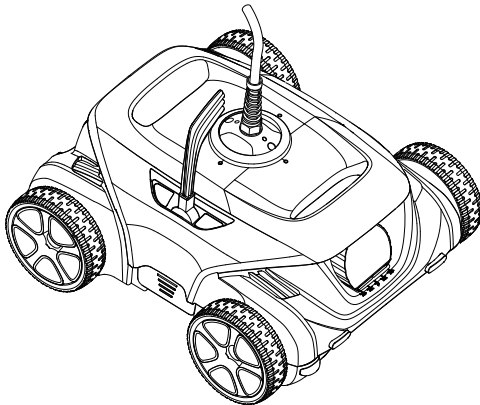
Aiper Customer Service

Customer Service Number:

US Toll Free: 1-866-850-0666

Email: service@aiper.com

Facebook: [@AiperOfficial](https://www.facebook.com/AiperOfficial)



CONTENTS

Important Precautions -----	1
1. Introduction -----	2
2. Structure -----	2
3. Specifications -----	3
4. Operations -----	3
Attentions -----	3
4.1 Control Panel and Indicator Instructions -----	5
4.2 Functions & Adjustments of Nozzles -----	6
4.3 Filter Cleaning -----	7
5. Trouble Shooting -----	8
6. Packing List -----	10
7. Warranty -----	10

Important Precautions

1. Read the manual carefully, and use the cleaner according to the manual. We are not liable for any losses or injuries caused by improper use.
2. To avoid any accidents/damages, please fix the power supply unit 11.5ft (3.5m) away from the swimming pool by using the included safety rope, in case it falls into the water and result in potential danger.
3. To prevent severe damages to the cleaner, never power on the unit when it is outside of the swimming pool.
4. The power cord must be connected to an appropriate earthed socket and the power connector must be plugged in tightly.
5. Hold the top handle when putting the cleaner into water or lifting out of the water, do not pull the cable. Before powering on, make sure to empty the trapped air inside the cleaner (no more air bubbles come from the cleaner and the cleaner is fully submersed on the pool floor).
6. Before powering on, make sure the filter tray is assembled in position and the cord is fully released to avoid any winding, which could affect the cleaner's performance or cause damages.
7. Please clean and wash the filter tray every time after use.
8. The cleaner should be stored in a cool and ventilated place, away from direct sunlight when it's not in use.
9. The power supply unit should be placed at a shaded area during working. To avoid overheating and potential damages of components, never cover the power supply unit during working.
10. Only authorized after-sales service personnels can open the cleaner's power supply unit and motor assembly, otherwise the warranty will be invalidated.
11. Do not use the cleaner beyond the working environment/conditions stated in this manual.
12. Make sure the PH value of the pool water is between 7.0~7.4.
13. This machine is to clean the pool only not for other purposes.
14. Do not use the cleaner immediately after spraying the pool chemicals and do not use the cleaner as a dosing machine, which will damage and corrode the parts.

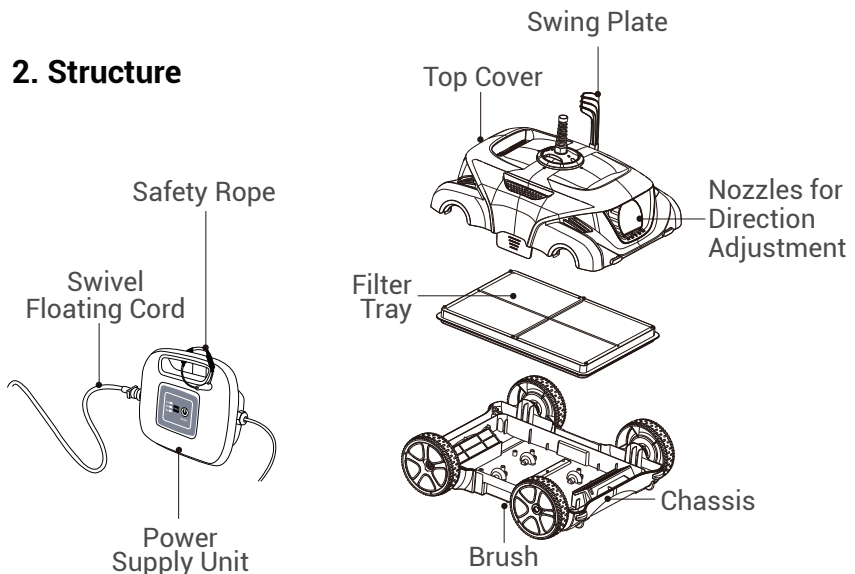
- 15. Do not operate the cleaner when there are people or animals in the pool.
- 16. Take the cleaner out of the swimming pool after use. If the cleaner is immersed in the water for a long time, there will be micro organisms produced.
- 17. The cord should be untwisted and wrapped properly after use.
- 18. Use the original adapter only for the control box kit.
- 19. Do not operate the cleaner while pool filter is running.
- 20. Do not allow children to ride on the cleaner or play with it.

1. Introduction

The robotic pool cleaner Orca 800 Mate is a new type of highly efficient and energy-saving swimming pool cleaning robot. Through its advanced computer-controlled program, it cleans the pool floor (even with an max slope 30°) automatically. At the same time, it filters the pool water and gets rid of suspended particles without replacing the pool water. It's totally environmental-friendly.

Read the user manual carefully before use.

2. Structure



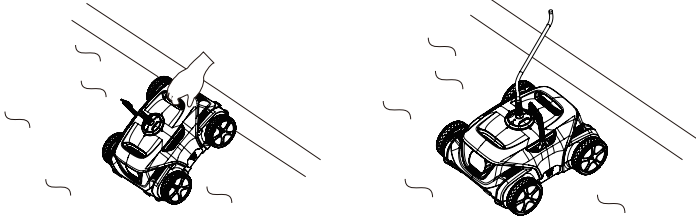
3. Specifications

1. Model	Orca 800 Mate
2. Rated Input Voltage	110V~120V, 60Hz
3. Rated Working Voltage	DC 17V
4. Power	150W
5. Optional Working Cycles	1H/2H/3H
6. Pool Size	Up to 33ft(10m)
7. Filter Capacity	79GPM (300LPM)
8. Filter Density	180µm
9. Moving Speed	32.8ft/min (10m/min)
10. Waterproof Grade	IPX8 for the cleaner; IPX5 for the power supply unit
11. Pool Water Temperature	50°F~95°F (10 ~35)
12. Pool Water PH Value	7.0~7.4
13. Max Water Depth	8.2ft (2.5m)
14. Product Size	17.52(L)x15.55(W)x8.66(H) inches 445(L)x395(W)x220(H) mm
15. Storage Temperature	-4°F~113°F (-20 ~45), RH≤75%
16. Pool Slope	Max 30°

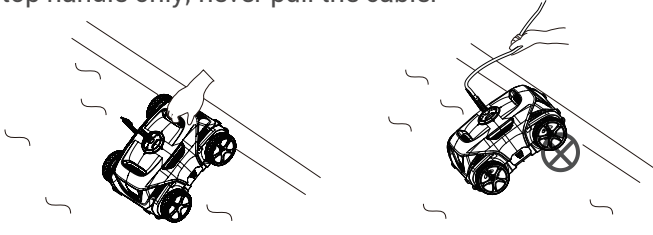
4. Operations

Attentions:

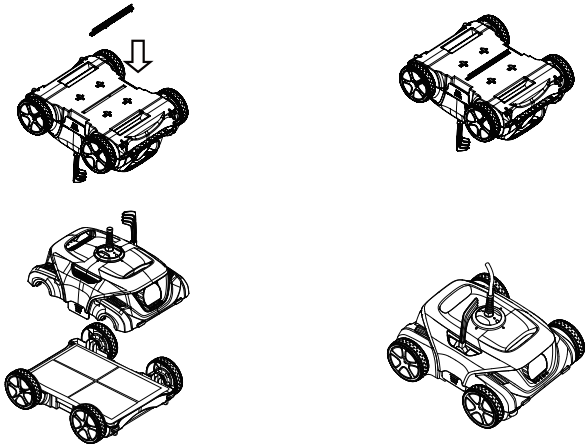
1. When putting the cleaner into the water, please hold the top handle and make sure to empty the trapped air inside. Now, the cleaner can be immersed to the pool floor.



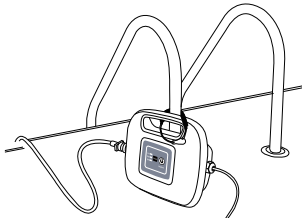
2. When pulling the cleaner out of the water, suspend the cleaner on the water for about 10-15 seconds to empty the water inside. Please hold the top handle only; never pull the cable.



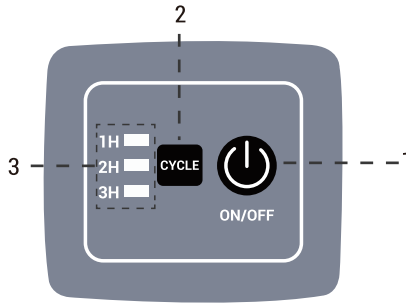
3. Please install the swing plate and brush before use for normal working.



4. Please use the included safety rope to fix the power supply unit away from the pool in case it falls into the water.



4.1 Control Panel and Indicator Instructions



No.	Sign	Instruction	Function description	
1	ON/OFF	Power on/off	Press this button, the cleaner is power-on.	
			Press a second time, the cleaner is off.	
2	CYCLE	1H	The cleaner runs for 1 hour	
		2H	The cleaner runs for 2 hours	
		3H	The cleaner runs for 3 hours	
3	Indicator	Indicates the working cycle and fault warning		
		Working status	1H, 2H and 3H flash together	Working cycle completed
			"1H" flashes slowly	Cleaner running for 1 hour
			"2H" flashes slowly	Cleaner running for 2 hours
			"3H" flashes slowly	Cleaner running for 3 hours
		Abnormal Indication	Status	Cause
1H and 3H flash together with a warning sound	Power Supply Overloading		Stop the cleaner and check if anything is blocked in the impeller or in the transmission system	

4.2 Functions & Adjustments of Nozzles

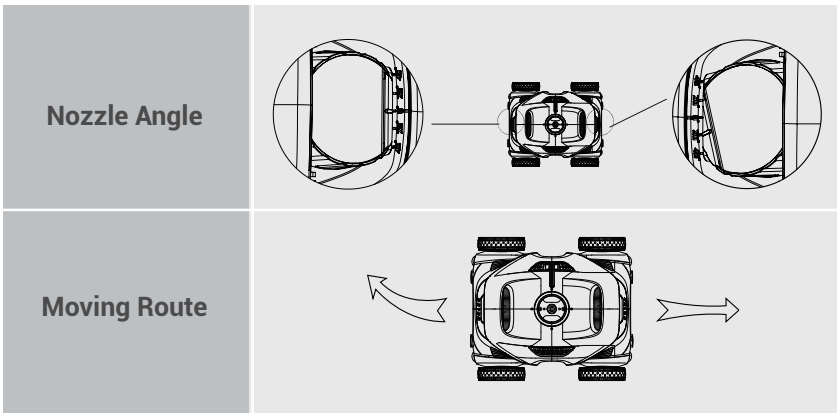
There are two nozzles on the cleaner, one of them opens when the other closes. Water flows out through the open nozzle to thrust the cleaner to move forward. Adjust the nozzle by turning it to control the moving route.

a. Settings of nozzle angle and moving route

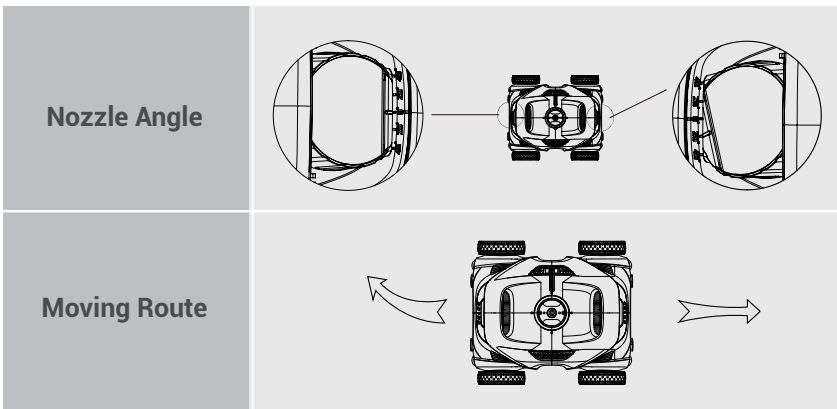
Sketch: the nozzles of the cleaner are marked with angles (0°-40°). The cleaner moves in an approximately straight line when the nozzle angle is 0°. The cleaner moves in a more curved line at a larger angle from 0°-40°.

b. Recommended three cycles and nozzle settings

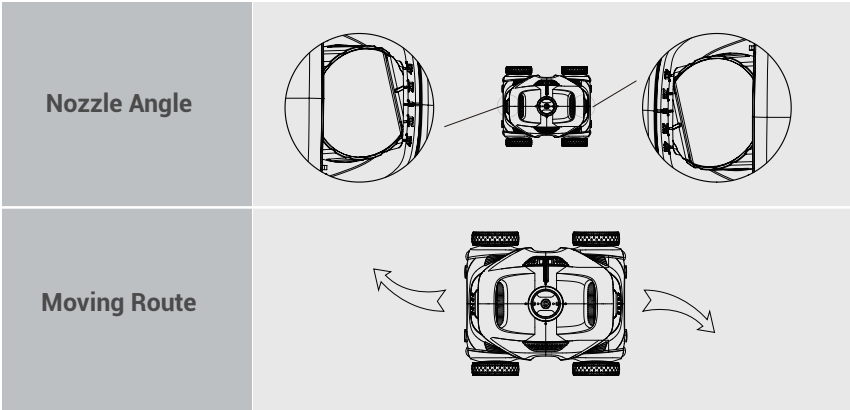
Setting One: default setting: 0°--20°, for most of the pools.



Setting Two: 0°--40°, when the cleaner does not have full coverage of the pool.



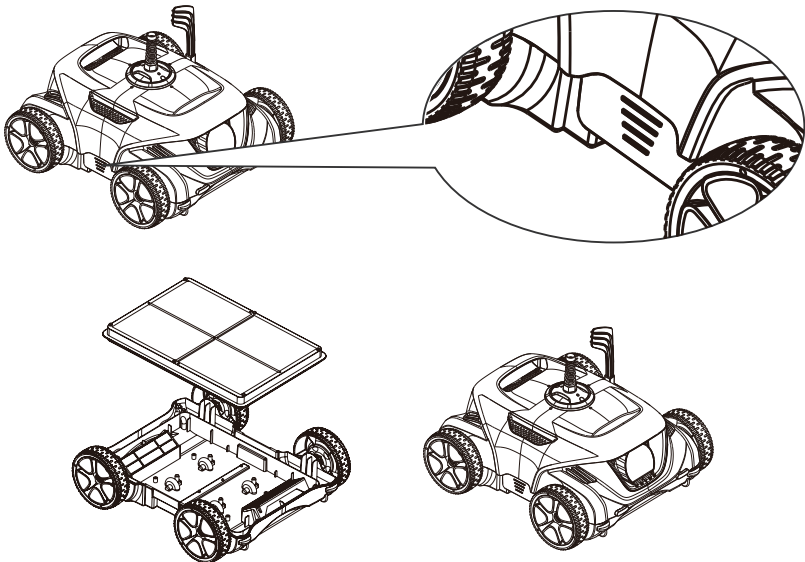
Setting Three: 20°--20°, for round pools



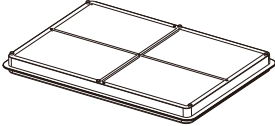
Note: These are recommended settings and different settings might apply to specific pools. So the operator can adjust the settings according to the principle of nozzle settings and the actual situation of the pool.

4.3 Filter Cleaning

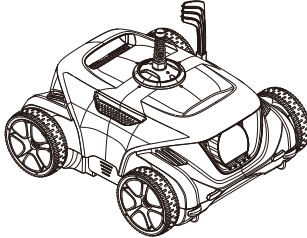
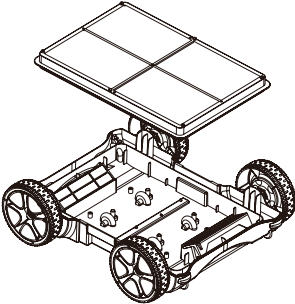
A. Open the cleaner by clips



B. Take out the filter tray



C. Wash the filter tray and chassis



D. Reassemble the cleaner and clip on

5. Trouble Shooting

Remark: The pool water condition must be within the following parameters:

- PH: 7.0 –7.4
- Salt: Max 5,000 ppm
- Temperature: 10°C(50°F) to 35°C(95°F)
- Chlorine: Max 2 ppm

Issues	Possible Causes	Solutions
The cable twists or coils up	The cable is not fully released	Unplug the power cord and fully release the cable
	Obstruction in the pool	Remove the obstruction
	Stuck on main drain outlet	Turn off the pool filter system
	Overtime working	Release the cable manually

The robot does not reach all pool areas	The power supply unit is improperly positioned	Place the power supply unit at a proper position to reach all pool areas
	There is algae on the pool floor and it can't be cleaned since it floats easily after the machine passes by	Before using the cleaner, please clean the algae on the floor or walls in case it floats when the machine passes by
	The pool shape is not regular	The ideal pool shapes are ROUND, OVAL, RECTANGULAR, KIDNEY-LIKE. Please place the robot on the area that needs specific cleaning
	The pool filter system and pump are running	Turn off the pool filter system and pump
	The cable is not long enough in the pool	Release the cable
	The robot does not work	The power cord is not plugged well
The robot is damaged during transportation		Contact the customer service
The cleaner does not match the local rated voltage		Contact the customer service
Electric Fault		Contact the customer service
The cleaner gets blocked		Contact the customer service
It just sits at the bottom of the pool and won't move after several passes	1.Check if the LED indicators on the power supply unit flash. If yes, it's probably because it has completed the scheduled 1H working cycle (default time); 2.There is a blockage in the filter tray;	1.Reset the cleaning time to 1H/2H/3H; 2.Clean up the filter tray and restart the machine;

6. Packing List

Item	Name	Quantity (PC)
Orca 800 Mate	Cleaner with 33ft Cable	1
	Power Supply Unit	1
	User Manual	1
	Safety Rope	1

7. Warranty

1. This product is covered by Aiper warranty for 24 months (only for driving kit and control box kit) from the date of purchase. Consumable parts are beyond warranty which include Filter Tray/Brush/Wheels/Nozzles.
2. This warranty is voided if the product has been altered, misused, or has been repaired by unauthorized personnels.
3. The warranty extends only to manufacturing defects and does not cover any damage resulting from mishandling of the product by the owner.
4. The order number or record must be presented for any claim or repair during the warranty period.



Aiper Customer Service:

US Toll Free: 1-866-850-0666

Email: service@aiper.com

Facebook: [@AiperOfficial](https://www.facebook.com/AiperOfficial)