

SAVE THESE INSTRUCTIONS

DEALER/INSTALLER: GIVE TO HOMEOWNER

MODEL #7100X

A-FRAME LADDER

**LADDER MUST BE ATTACHED TO POOL FRAME...
DO NOT USE WITH INFLATABLE POOLS
ASSEMBLY AND INSTALLATION MANUAL**



The Anti-Entrapment Barrier is included in this ladder for the U.S. and Canada only, as required by ANSI/APSP.
The Anti-Entrapment Barrier is NOT intended as a substitute for competent adult supervision.
If you would like to purchase the barrier, please visit our website at: www.conferradders.com



Made in U.S.A. by

CONFER
plastics inc.

Model #7100X A-FRAME LADDER

Adjustable to fit 48" to 54" LADDER MUST BE ATTACHED TO POOL FRAME...

DO NOT USE WITH INFLATABLE POOLS

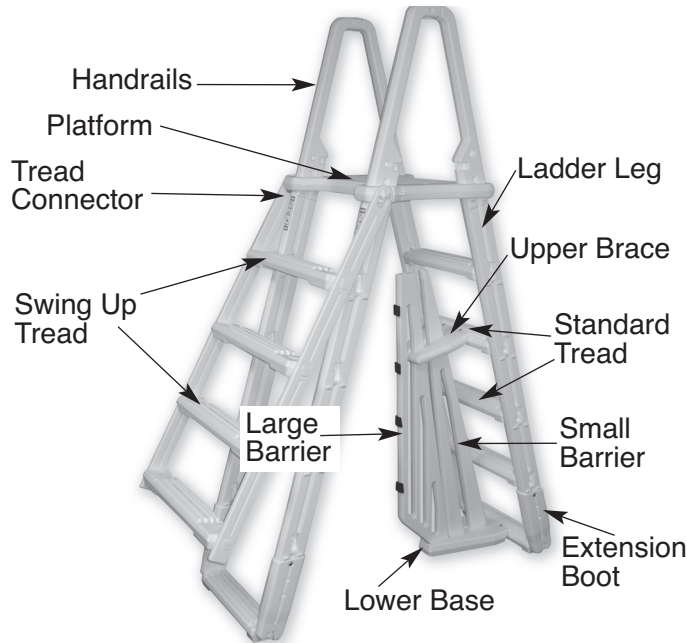
ASSEMBLY INSTRUCTIONS - PLEASE READ BEFORE ATTEMPTING ASSEMBLY

Parts List

- 4 - Ladder Legs
- 2 - Tread Connectors
- 4 - "Swing Up" Treads
- 6 - Standard Treads
- 4 - Extension Boots
- 1 - Platform
- 4 - Handrails

Hardware Pack

- 4 - 1/4 - 20 x 2" Bolt
- 4 - 1/4 - 20 Acorn Nut
- 2 - #10 x 1-1/4" Screw
- 2 - 1/4 - 20 x 2-1/4" Bolt
- 2 - 1/4" Flat Washer
- 10 - 1/4 - 20 Hex Nut
- 4 - Plug
- 1 - Padlock
- 8 - 1/4 - 20 x 1" Bolt



Tools Needed for Assembly

- * - Hammer or mallet
- * - Phillips Screwdriver
- * - Adjustable wrench
- * - Liquid soap or lubricant
- * - Battery operated drill motor
- * - 5/16" Drill bit

Barrier Parts List (if included)

- (Included in Hardware Pack)
- 4 - #10 x 1-1/4" screws
 - 1 - Strip of 4 Foam Pads
 - 1 - Large Barrier Section
 - 1 - Small Barrier Section
 - 1 - Upper Brace
 - 1 - Lower Base

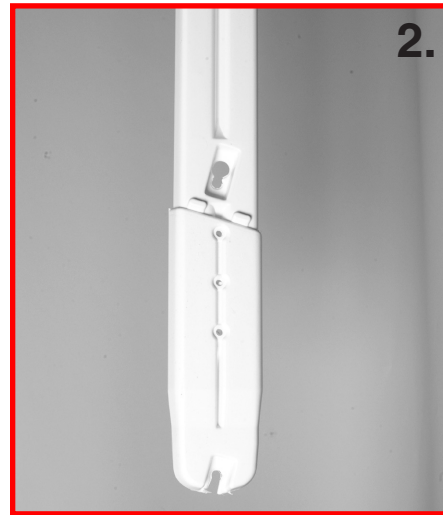
If missing parts call - Toll free U.S. - 800-635-3213 or www.conferladders.com

*NOTE: If you are using this ladder on a 48" pool you will not use the extension boots. Proceed to #4.



1.

If the round plastic inserts, on the sides of the extension boots, are still in place, remove them with a phillips head screwdriver as shown.



2.

Slip the four extension boots over the ends of the ladders legs. They will need to be all the way on for most 52" tall pools and backed off one hole for 54" pools. Depending upon ground levels outside the pool, and sand levels under the liner inside the pool, a final adjustment may need to be made after the ladder is put into place.



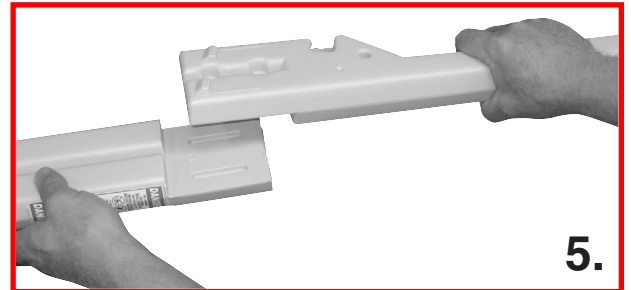
3.

Using four 1/4-20 x 2" long bolts and four acorn nuts fasten the extension boots to the ladder legs



4.

Using a Phillips screwdriver, knock out all four of the keyhole slot inserts from two of the ladder legs.

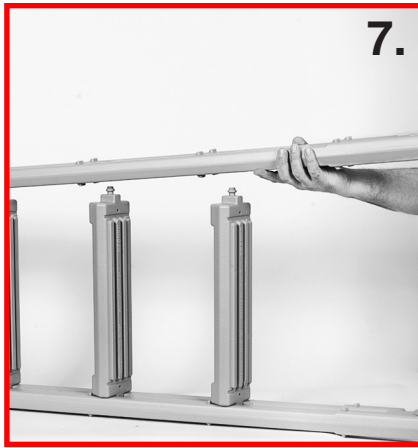


5.

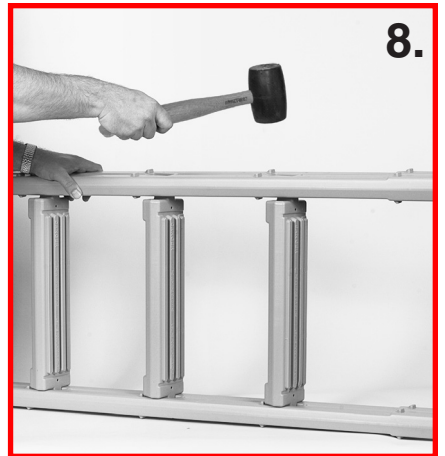
Place handrail over the flat area located on top of ladder leg. Insert one of the 1/4 - 20 x 1" bolts through the ladder leg into the handrail. Place one 1/4 - 20 hex nut into the recessed area on the handrail and tighten using a Phillips screwdriver. Install the second bolt and nut. Repeat to assemble all four ladder leg/handrail assemblies.



6. Push the end of one of the standard treads into the uppermost keyhole slot. Make sure that the tread and the ladder leg are positioned as shown in the photograph to the left. It may be necessary to tap the tread into the slot with a mallet. Repeat for three additional treads.



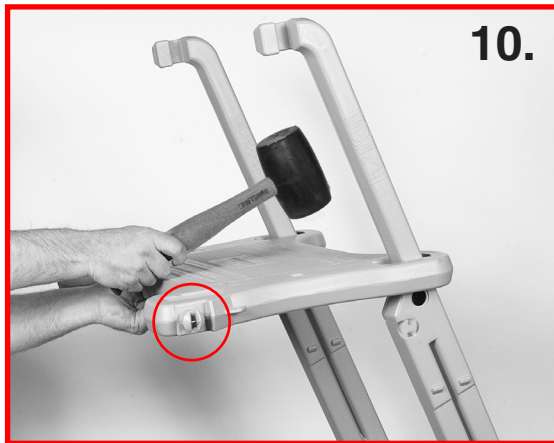
7. Place the second ladder leg with the keyhole inserts removed over the treads and tap down.



8. Tap the ladder leg down onto the ends of the treads.



9. With the ladder standing up, tap the treads all the way down until seated in the keyhole slots



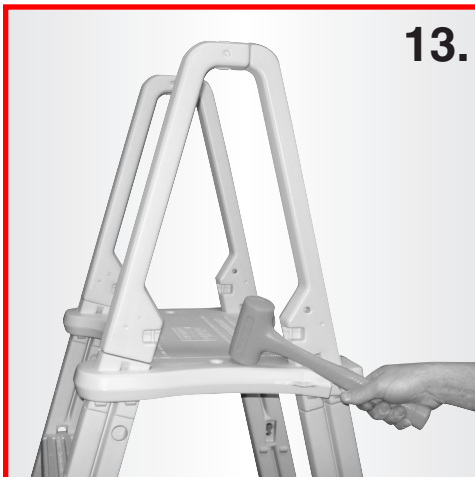
10. Making sure that the “swing-up” side of the platform is facing away from the “inside” ladder section, as shown, slip the openings of the platform over the upper ends of the ladder legs. Using a mallet or hammer tap the platform down until it is fully seated onto the “nubs” of the ladder legs. Liquid soap or lubricant will help the parts slide together.



11. Slip the other two ladder legs through the openings of the platform until they engage the other ladder legs as shown in next photo.



12. Connect the top of the handrails together.



13. Tap the platform down until fully seated on the lugs as shown.



14. Using a #10 x 1-1/4" screw fasten the upper ends of the handrails together as shown. Repeat for opposite side.



Attach the two remaining standard treads to the extension boots (or directly to the ends of the ladder legs if installing on a 48" tall pool).



Position the four "swing up" treads onto the ladder legs as shown.

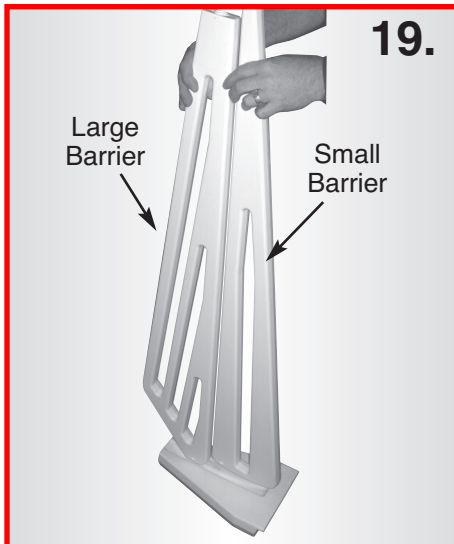


Position the tread connector as shown, with the padlock hole facing upward, and tap it over the round knob. Repeat for the opposite tread connector.

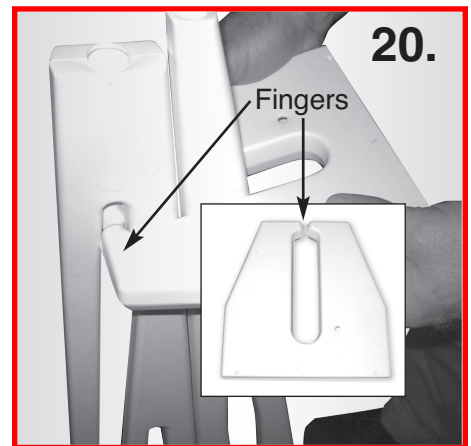
If Ladder *did not* include Barrier, skip steps 21 through 23. Continue to step 24.



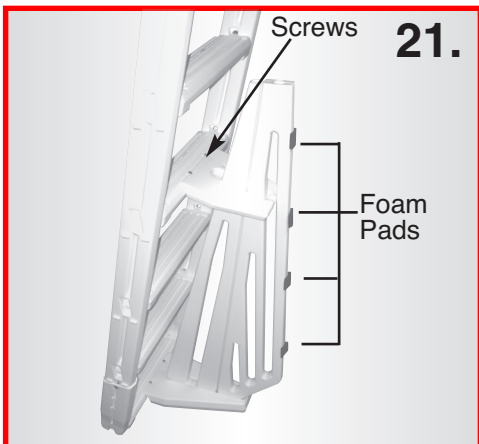
Lay ladder on its side, put a little liquid soap onto the square ends of the treads. Next place the tread connector onto the ends of the treads and strike hard with a rubber mallet to seat tread connector onto the treads. Flip ladder over and repeat for second tread connector.



Snap Small and Large Barrier Sections into slots on Lower Base as shown.



Separate Barrier sections at the top slightly and position Upper Brace over Small Barrier Section. Next, spread the "fingers" on the Upper Brace and slide into position on the Large Barrier Section.



Place the Base and Brace into position, centered, on the bottom and fourth treads of the ladder. Install the four (4) #10 x 1-1/4" screws (included in hardware pack) on a slight angle, first in the Upper brace, then in the Lower Base. Install the self-adhering foam strips to the Large Barrier Section as shown in diagram.



"Swing" up portion of ladder shown in "down" position and the padlock in the "holding" area.



Swing up portion of ladder shown in "up" position, secured with padlock.

24. PLACE LADDER IN POOL

Fill the two inner legs with water and cap the fill holes with plugs. Cap the fill holes in the two outer legs; do not fill outer legs with water. Place the ladder over the pool top seat with the swing up treads on the outside of the pool. Tip the ladder sideways to allow the treads to fill the water. This will prevent floating. The platform should rest on the pool top seat and the bottom tread should rest firmly on the pool bottom. If they do not, the extension boots may be adjusted up or down as required to achieve the best fit.

25. ATTACH LADDER TO POOL

For maximum stability, the ladder must be fastened to the top of the pool. Position the ladder at the desired location on the pool top seat and mark the two locations of the holes in the platform onto the top seat. Move the ladder away, and being careful not to damage the liner, drill two holes through the top seat. Fasten the ladder platform to the top seat using two 1/4-20 x 2-1/4" bolts, 1/4" flat washers, and 1/4-20 hex nuts.

IF YOU HAVE A NON-TRADITIONAL METAL FRAMED POOL PLEASE REFER TO LADDER ADAPTER KIT BELOW

IMPORTANT: WHENEVER THE POOL IS NOT IN USE THE OUTER TREADS MUST BE IN THE UP POSITION AND LOCKED WITH THE INCLUDED PADLOCK.

Winterizing: To winterize your ladder pull the ladder from the pool, remove the plugs, lay the ladder on its side to allow the water to drain out. A small amount of water left in the ladder will not cause any damage. Replace the plugs into the fill holes so that they do not get lost. The ladder may be left outside.

IMPORTANT: LADDER ADAPTER KIT

LAK kit fits Confer A-frame ladders for use with non-traditional metal framed swimming pools with a wall height of 48" - 54".

Use with models: 7100b, 7100x, 7000b and 7200.

OPTIONAL CONVERSION KIT

To easily convert your A-frame ladder to a deck/inpool ladder order our #CK7100 conversion kit. The kit includes all parts and hardware needed

OPTIONAL ACCESSORY

SKIM-IT SKIMS OFF DEBRIS Cut cleaning time 75% with skimmer extension that guides debris directly into your skimmer. Fits most in-ground and above-ground pool skimmers. Corrosion-resistant plastic Skim-It installs in seconds without tools.

Check for availability at your local pool dealer or order online at www.conferladders.com



SAFETY RULES

- * Locate ladder on a solid base.
- * One person on the ladder at a time.
- * Ladder **MUST** be installed per manufacturer's instructions.
- * **DANGER:** No Jumping or Diving from ladder.
- * Face ladder when entering and leaving pool.
- * To prevent entrapment or drowning — **DO NOT** swim through, behind or around ladder.
- * Ladder to be used as a swimming pool ladder only.
- * Weight limit - **300 lbs maximum**
- * **Warning:** Exceeding the maximum weight restriction may cause the ladder to fail.
- * When ladder is not in use lock up outer treads with padlock provided in hardware bag.
- * Consult your local Building Department before installation of your pool and equipment.
- * **DANGER:** Use a cordless drill for assembly and installation. NEVER use an electric drill in or around the pool.

IMPORTANT FOR YOUR SAFETY

- * Check the contents of the carton with the Parts list for this ladder.
- * If any parts are missing call Toll Free U.S. - 800-635-3213 or visit our web site at www.conferladders.com
- * **DO NOT** attempt to assemble or install the ladder if there are **ANY** shortages of parts or hardware.
- * For proper assembly and installation follow all instructions in the sequence shown.
- * Before using the product, after assembly and installation, go over the instructions and procedures again to make sure nothing has been overlooked.
- * Be sure and safe. The manufacturer **IS NOT** responsible for improper assembly, installation and use.

CONFER PLASTICS, INC. FIVE YEAR WARRANTY

Confer Plastics, Inc. warrants their swimming pool ladders and steps to be free from defects in workmanship for five years from date of purchase.

DO NOT RETURN DEFECTIVE PART TO DEALER

E-MAIL CONFER PLASTICS AT: LADDERS@CONFERPLASTICS.COM
A PICTURE [S] OF DEFECTIVE PART, A BRIEF DESCRIPTION OF PROBLEM,
PROOF OF PURCHASE AND YOUR CONTACT INFORMATION.

INFORMATION MAY ALSO BE FAXED TO CONFER PLASTICS AT: **716-694-3102**
OR MAILED TO THE ADDRESS BELOW. UPON REVIEW OF THE INFORMATION YOU
WILL BE NOTIFIED IF PART IS COVERED UNDER THE WARRANTY AND
THE SHIPPING/HANDLING CHARGES.

This warranty gives you specific legal rights, and you may also have other rights which may vary from state to state.

Confer Plastics, Inc.
97 Witmer Road
North Tonawanda, N.Y. 14120-2421

MADE IN THE U.S.A. by:



CONFER
plastics inc.

97 Witmer Road
North Tonawanda, New York 14120-2421
Toll Free U.S. 800-635-3213
FAX 716-694-3102
www.conferladders.com