

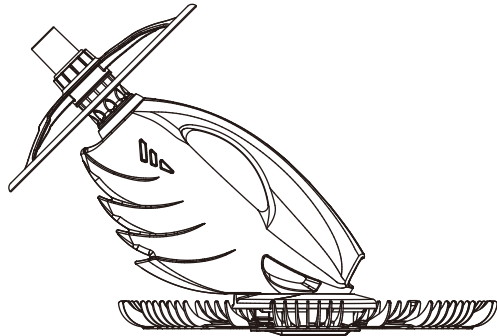
Seahawk

Limited Warranty Terms & Conditions

3 year warranty coverage, exclusions apply

Before using the cleaner, review the owner's manual completely. Failure to read the owner's manual completely could result in pool damage caused by an improper installation of the cleaner. This warranty does not cover parts that are worn, scratched, faded as this is natural during normal operation in the pool. The warranty does not cover pools that are improperly maintained including water chemistry, pool surface construction and equipment failures. Pool plaster or vinyl damage is not covered under warranty of the cleaner. Misuse of the cleaner in any form is not covered including accidental misuse, acts of God, or modifications to the cleaner by anyone other than the manufacturer.

All parts except the Finned Disc (#11), Foot Pad (#12), Plastic Ring for Diaphragm (#14), Diaphragm (#15), Hose Weight (#17), and Hose Sections (#21 and #22) are covered by a Three Year Warranty.



Seahawk

Operator's Manual



CONTENTS

Safety and Warnings	1
General Information	2
Tips for Usage	3
Assembly Instructions	4
Exploded Parts List	5
Diaphragm	7
In-Pool Installation	9
Warranty Information	13

SUCTION HAZARDS AND DROWNING RISKS

⚠ If your pool is equipped with one, **you MUST cover your dedicated suction port/vac port/automatic pool cleaner port** when not in use by the cleaner.

⚠ **DO NOT** play with cleaner or apply cleaner or hose to body, clothing, or hair. The hose and cleaner can take hold of your body, hair, or clothing. The suction from the hose or cleaner, or just the hose or cleaner alone, can trap a swimmer underwater. **NEVER ALLOW ANYONE TO ENTER THE POOL** when the cleaner is in use.

⚠ **DO NOT** allow anyone, especially children, to use or play with or around the cleaner or hose. Educate the pool users about the dangers of the hose, cleaner, and suction ports.

MOVING PARTS

⚠ **STOP PUMP** Cleaner must be completely disabled by turning off the pool's pump and suction before cleaning or maintaining the cleaner. Moving parts and suction can injure fingers or body.

⚠ **STOP PUMP** before swimming. The moving pool cleaner, hose, and suction ports can injure or entrap swimmers. **STOP PUMP**, detach hose, and move the cleaner and hose to an unused corner of the pool. If the hose may interfere with the swimmers, remove it from the pool.

PRIOR TO INSTALLATION

Carefully follow all instructions contained in this manual. Failure to do so may inhibit the cleaner's operation or damage your pool. The manufacturer disclaims any liability for repairs or replacement to any structures or components in the customer's pool.

This cleaner was not designed to be the first clean after pool construction or at the beginning of the season. Check your vinyl pool for wear or tear, or for roots, branches, rocks, or other obstructions under the liner. Gunite, plaster, and tile pools must be free of deterioration, cracked or loose tiles, or other conditions that could damage the cleaner. All pools must be cleaned of algae and debris prior to the cleaner's first use.

The entire filter system must be cleaned prior to installation: Clean the filter. Empty, backwash, and rinse all baskets. The cleaner will not operate properly with a dirty or clogged filter system.

AFTER INSTALLATION

Carefully assess the cleaner's operation after installation. Some slight adjustments may be needed to ensure proper performance and to ensure that the cleaner does not damage or cause undue wear to the pool surface. Vinyl pools especially are at risk for abrasion, pattern wear, pattern or ink removal, or serious scratches from the cleaner running into objects or debris in the pool. Manufacturer disclaims any liability for damages caused to vinyl pool patterns or liners.

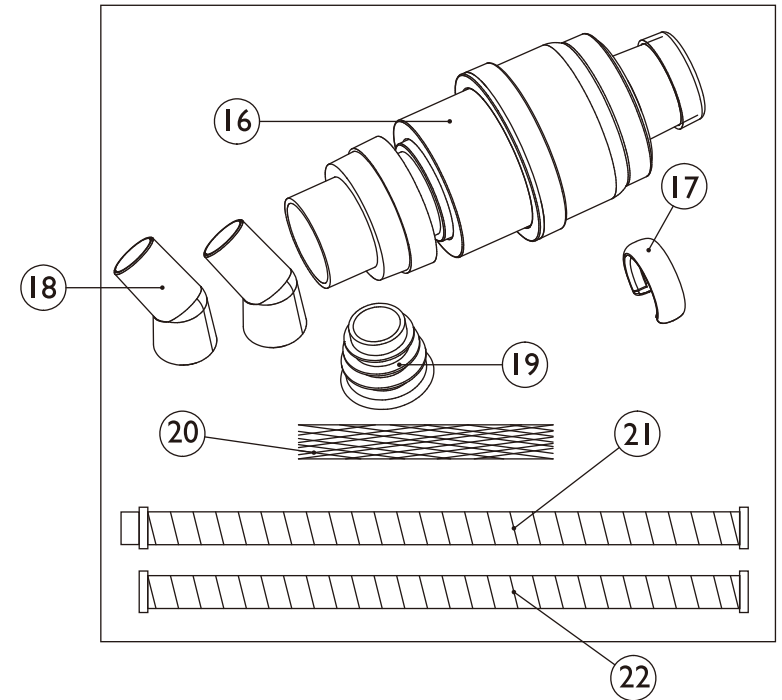
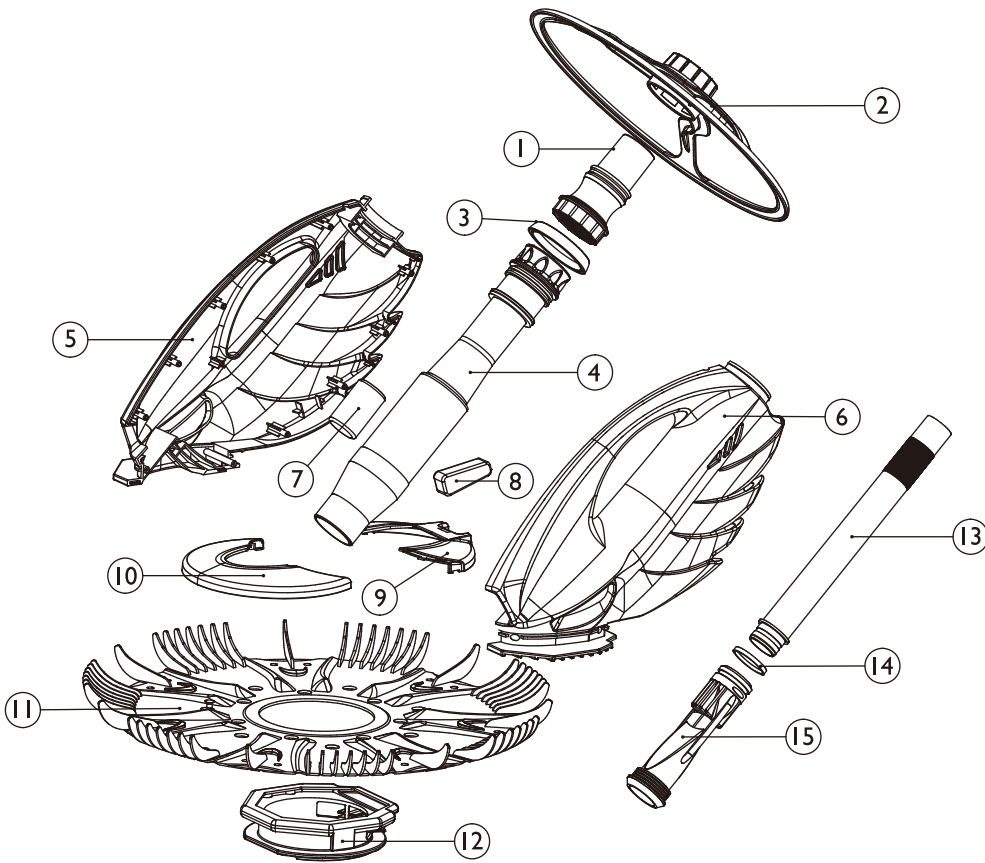
This pool cleaner was made to assist you in keeping your pool clean and well maintained. Here are ten important tips:

1. Once installed, your cleaner is designed to run for 4-6 hours and should be able to clean an average sized pool in that time.
2. Your pool needs to be in good condition in order to use this cleaner. If there are broken tiles or plaster, or tears in the vinyl, the cleaner may damage your pool further.
3. The cleaner is not designed to clean pool features, waterfalls, steps or ladders. Those will need to be cleaned manually with a brush.
4. The cleaner is not designed to run and clean under a solar cover.
5. Run your cleaner 2-3 times a week.
6. Do not wait until your pool is filthy to run the cleaner. The cleaner should be considered a preventative maintenance for a clean pool.
7. The cleaner is meant to vacuum small debris and dirt from your pool. Large debris and fallen objects will need to be removed manually.
8. This cleaner is not meant to replace chemical treatments. Continue chemical treatments; remove the cleaner during shock treatments.
9. Before swimmers enter the pool, turn off the pump, unplug the hose, cover the intake, and then move the cleaner and hose to an unused side of the pool.
10. Your cleaner should stay in the pool at all times, **EXCEPT** when it may endanger swimmers. Dry storage will wear the cleaner/hose more quickly than storage in a correctly balanced pool.

CLEANER ASSEMBLY

1. Attach the **finned disc (#11)** to the bottom lip of the cleaner by sliding it around and over the lipped circular opening. The word "TOP" should be facing opposite the floor. The finned disc should spin freely after it is attached.
2. If not already installed, insert the long tube, ring, and diaphragm (**#13, #14, and #15**) assembly into the center of the cleaner with the yellow diaphragm towards the bottom of the cleaner.
3. Attach the **bumper ring (#2)** by pushing the flanged end of the **hose connector (#1)** onto the top hose opening of the cleaner body.





CLEANER BODY ASSEMBLY

- 1 Hose Connector
- 2 Bumper Ring
- 3 Plastic Ring
- 4 Chamber Assembly
- 5 Left Cleaner Body
- 6 Right Cleaner Body
- 7 Float
- 8 Weight
- 9 Back Housing
- 10 Front Housing
- 11 Finned Disc
- 12 Foot Pad
- 13 Long Tube
- 14 Plastic Ring for Diaphragm
- 15 Diaphragm

HOSE AND POOL CONNECTION

- 16 Automatic Regulator Valve
- 17 Hose Weight
- 18 Elbow Connectors
- 19 Intake Adaptor
- 20 Hose Protector Sleeve
- 21 (11) Female/Male Hose Sections
- 22 Female/Female Hose Section

DIAPHRAGM CLEANING

Your cleaner's **diaphragm (#15)** may become clogged or damaged over time. If you notice decreased performance, check the **diaphragm** for debris or damage.

1. Remove the cleaner from the pool and unhook the hose from the top of the **Seahawk**.
2. To remove the yellow diaphragm, unscrew the **bumper ring (#2)** and **hose connector (#1)** by twisting the white ring directly beneath the blue bumper ring in a counterclockwise direction while holding still the white ring closest to the cleaner body. Unscrew the assembly until you can remove it from the cleaner. Set the **bumper ring assembly** to the side.



DIAPHRAGM REPLACEMENT

3. You will now see a **chamber assembly (#4)** that sits inside the main cleaner body. Forcefully push the protruding blue long hose downward until the yellow **diaphragm (#15)** and the attached **blue long tube (#13)** come out of the chamber assembly. You may need to pull on the old diaphragm to release the tube and diaphragm from the main cleaner body.



4. If the diaphragm is dirty, but not damaged, clean the valve by rubbing it with a rag under warm water.
5. If the diaphragm is damaged, replace it with a new diaphragm. Pull the yellow diaphragm off of the bottom of the blue chamber assembly and remove the **blue plastic locking ring (#14)** from the old diaphragm. Place the blue locking ring on the **new diaphragm**. Slide the new diaphragm over the **blue tube** until it sits tightly against the ridge on the blue tube.
6. Slide the blue tube into the **chamber assembly** with the diaphragm at the bottom. Push the diaphragm into the cleaner until the long blue tube and diaphragm are secure.
7. Screw the bumper ring assembly onto the top of the main cleaner body.

IN-POOL INSTALLATION

1. Make sure the pool is generally clean, free from debris, and the entire pump and filtration system is clean. Empty your skimmer and pump baskets.

TROUBLESHOOTING TIP: If your cleaner does not have enough power, stays in one area, or does not move at all, clean the pump and filtration system.

2. Assemble the hose pieces together. Determine the proper amount of hoses needed. Start at where cleaner is hooked into the wall or skimmer then go to farthest point of pool and **add one extra section**. The female/female end should be at the end where the hose will attach to the intake of the pool.

TROUBLESHOOTING TIP: If one area of your pool is not being cleaned, your hose may not be long enough.



3. Place the **hose weight (#17)** on the hose. You will need one hose weight if your pool depth is less than 8 feet, two if the pool depth is more.

TROUBLESHOOTING TIP: With correct hose weights, your cleaner should sit at a 45 degree angle on the bottom of the pool. If your cleaner isn't working correctly, the hose is sinking, or the cleaner is stuck in one area, adjust the hose weights' location, or add/decrease the number of hose weights.

DEDICATED CLEANER INTAKE INSTALLATION

4. If you are using the **dedicated cleaner intake** in your pool's sidewall you may need to install the **intake adapter (#19)** if the hose does not fit snugly in the dedicated cleaner port. Push one **elbow connector (#18)** into the port to angle the hose upward.
5. Attach the hose to the cleaner's top, lower the cleaner into the pool, feeding the hose slowly into the pool so that it can fill with water. Make sure there is not excessive air in the hose: the hose should mostly sink. Attach the **female hose end to the elbow connector**. Turn the pump on and make sure the system runs smoothly.

TROUBLESHOOTING TIP: If your cleaner is not covering the whole pool, stays in one area, or does not clean well enough, adjust your valves.

SKIMMER INTAKE INSTALLATION

6. If you are using the **skimmer intake**, then install the **automatic regulator valve (#16)** by pulling on the threaded section of the valve until it comes away from the main part of the regulator valve. Screw this threaded section into the skimmer intake port. Snap the rest of the automatic regulator valve into the threaded section.

TROUBLESHOOTING TIP: If your cleaner stays at the surface or pulls in air from the surface, install or check the automatic regulator valve.



7. Connect **the elbow connectors (#18)** to each other so they angle the hose out the skimmer door, then slide the female end over the top of the Automatic Regulator Valve.

8. Slide the **hose protector sleeve (#20)** over the hose where the hose will meet the side of the pool at the skimmer opening. This will protect the pool wall and skimmer door from the agitation of the hose.
9. Attach the hose to the cleaner's top, lower the cleaner into the pool, feeding the hose slowly into the pool so that it can fill with water, and attach the female end through the skimmer to the elbow connector. Make sure there is not excessive air in the hose: the hose should mostly sink. Turn the pump on and make sure the system runs smoothly.



TROUBLESHOOTING TIP: If the return line pushes the cleaner away from that area of the pool, adjust or install an eyeball diverter.