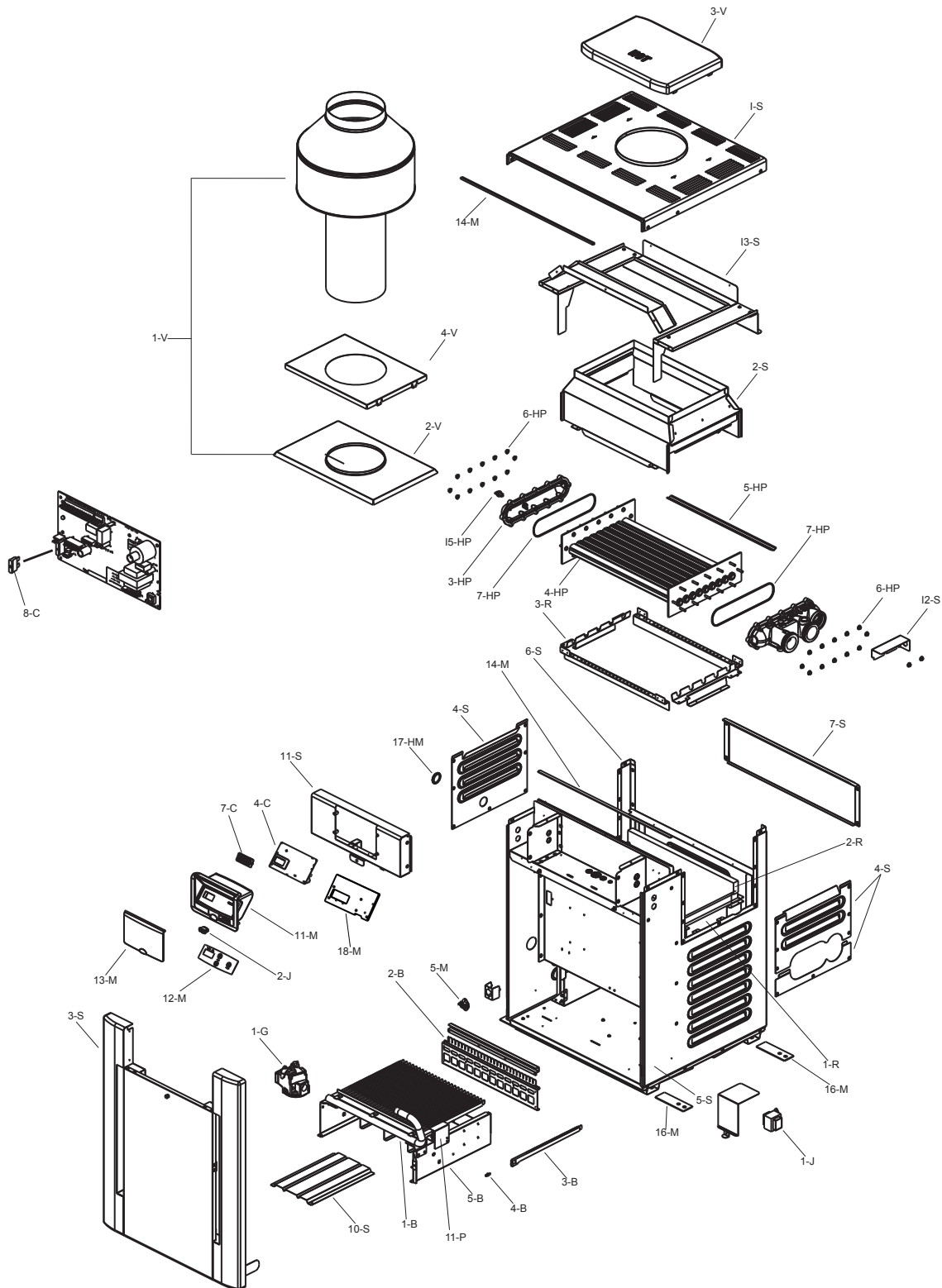
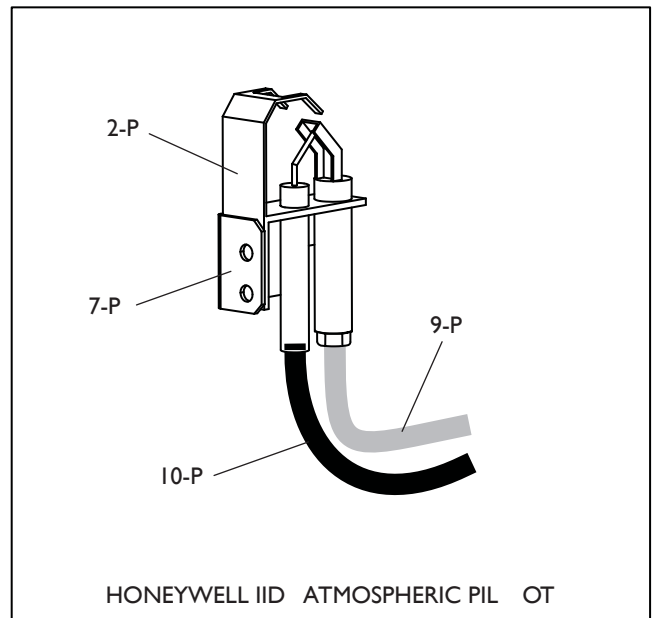
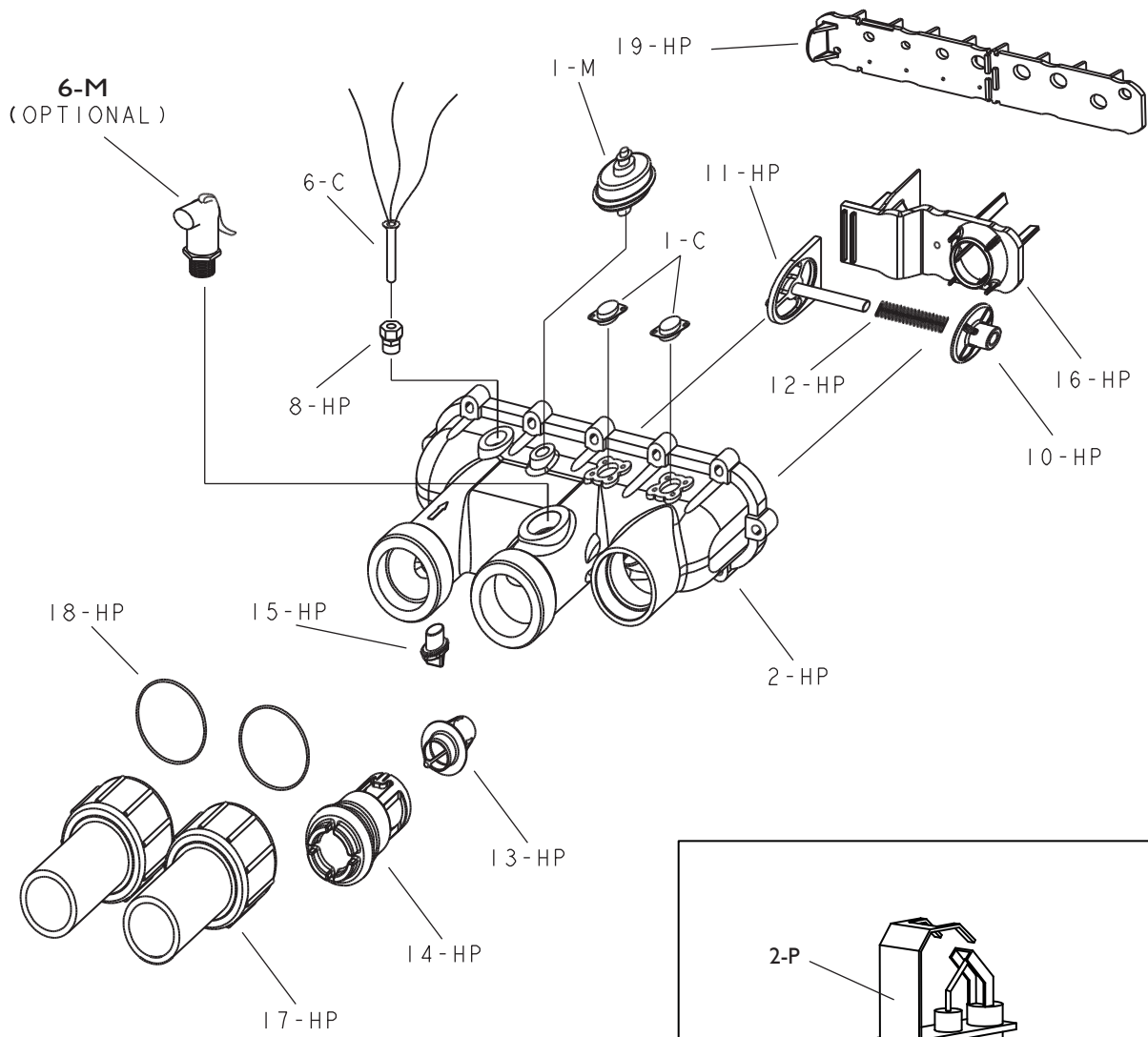


JACUZZI JHN266

// Atmospheric Natural Gas Heater





BURNER TRAY*				
ITEM NO	DESCRIPTION	PART NUMBER	LESLIE'S SKU	QTY
1-B	BURNER TRAY W/BURNERS (0-5000)	010392F	403508	1
	BURNER TRAY W/O BURNER (0-5000)	010396F	**	1
	BURNER TRAY W/GAS VALVE NAT IID	010408F	403519	
2-B	BURNER HOLD DOWN KIT	010416F	625460	1
3-B	BURNER	301210/18	604736	1
4-B	BURNER ORIFICE NAT. #50 (0-5000)	350079F/18	604735	1
5-B	BURNER TRAY W/O MANIFOLD W/O BURNERS	010422F	403524	1

*FOR INSTALLATION AT OVER 2,000 FEET ABOVE SEA LEVEL, DERATE 4% PER 1,000 FEET ABOVE SEA LEVEL.

CONTROLS				
ITEM NO	DESCRIPTION	PART NUMBER	LESLIE'S SKU	QTY
1-C	THERMOSTAT AUTO RESET 125 DEG SURFACE MOUNT	006725F	52512	1
4-C	P.C. BOARD/CONTROL	013464F	52531	1
6-C	TEMPERATURE SENSOR	009577F	625478	1
7-C	LCD DISPLAY	013640F	304734	1
8-C	FUSE 5 AMP	013733F	403563	1

GAS VALVE				
ITEM NO	DESCRIPTION	PART NUMBER	LESLIE'S SKU	QTY
1-G	COMBINATION VALVE GAS ON/OFF NAT	003900F	52200	1

CONTROL BOX				
ITEM NO	DESCRIPTION	PART NUMBER	LESLIE'S SKU	QTY
1-J	TRANSFORMER 120/240/24V	006736F	52552	1
2-J	ROCKER SWITCH	009493F	625418	1

HEAT EXCHANGER				
ITEM NO	DESCRIPTION	PART NUMBER	LESLIE'S SKU	QTY
1-HP	HEAT EXCHANGE ASSY	010044F	625612	1
2-HP	INLET/OUTLET HEADER COMPLETE INLET/OUTLET HEADER (INCLUDES 6-HP)	006827F 014648F	613719 950204	1 1
3-HP	RETURN HEADER (INCLUDES 6-HP)	015095F	366118	1
4-HP	TUBE BUNDLE COPPER**	010060F	625589	1
5-HP	BAFFLE	005261F	604568	1
6-HP	FLANGE NUT KIT	008259F	625416	1
7-HP	O-RING GASKET	006713F	52528	2
8-HP	SENSOR ADAPTER DIGITAL ELECTRONIC	006714F	52529	1
9-HP	BYPASS KIT	006715F	605182	1
10-HP	BYPASS VALVE	006716F	605181	1
11-HP	BYPASS DAM/SHAFT	006717F	605179	1
12-HP	BYPASS SPRING (ALL SIZES INCLUDED)	006718F	604588	1
13-HP	UNITHERM GOVERNOR	006719F	52535	1
14-HP	UNITHERM GOVERNOR PLUG	006720F	52536	1
15-HP	DRAIN PLUG	006721F	52537	1
16-HP	INLET/OUTLET HEADER DAM	USE 19-HP	N/A	N/A
17-HP	2" CPVC CONNECTOR & NUT	006723F	52539	2
18-HP	O-RING	006724F	625508	2
19-HP	INLET/OUTLET HEADER BAFFLE W/ HEADER DAM	006826F	604579	1

****WARNING:** The Hydraulic conditions or water chemistry that caused the tube bundle to fail have very likely also damaged the bypass valve and Unitherm Governor. We recommend you replace the Unitherm Governor and inspect the bypass assembly. Failure to do so could cause premature failure of this replacement part.

REFRACTORY				
ITEM NO	DESCRIPTION	PART NUMBER	LESLIE'S SKU	QTY
1-R	REFRACTORY COMMON (LEFT & RIGHT)	010088F	625537	1
2-R	REFRACTORY UNCOMMON (FRONT & REAR)	010090F	625534	1
3-R	REFRACTORY RETAINER KIT	010388F	**	1

VENTING				
ITEM NO	DESCRIPTION	PART NUMBER	LESLIE'S SKU	QTY
1-V	INDOOR STACK KIT (INCLUDES INNER ADAPTER PANEL) OUTDOOR STACK KIT (INCLUDES INNER ADAPTER PANEL)	009839 009835	51841 625530	1 1
2-V	STACK ADAPTER	010331F	360263	1
3-V	PAGODA TOP	013884F	950343	1
4-V	OUTER STACK ADAPTER	011462F	403566	1

MISCELLANEOUS COMPONENTS				
ITEM NO	DESCRIPTION	PART NUMBER	LESLIE'S SKU	QTY
1-M	PRESSURE SWITCH 1.75 PSI	006737F	52554	1
	PRESSURE SWITCH 11 PSI (SPECIAL-SEE WATER PRESSURE SWITCH ADJ).	009133F	625473	1
5-M	THERMAL FUSE	005899F	605097	
6-M	PRV 125 PSI (OPTIONAL)	007224F	604704	1
7-M	DELIMING KIT	052871F	613721	1
8-M	WIRE/HARNESS	009490F	625524	1
11-M	CONTROL BEZEL (INCLUDES SWITCH DECAL)	013491F	905231	1
12-M	SWITCH/DECAL-MEMBRANE	013492F	904178	1
13-M	CONTROL BEZEL COVER	009487F	625424	1
14-M	GASKET INSULATION (SWAYBRACE & JACKET TOP)	010350F	403561	1
15-M	TOUCH-UP PAINT	750256	403574	1
16-M	TIE DOWN BRACKET (OPTIONAL)	011636F	625512	1
18-M	PC BOARD SHIELD (OPTIONAL)	015557F	625518	1

PILOT				
ITEM NO	DESCRIPTION	PART NUMBER	LESLIE'S SKU	QTY
2-P	PILOT NAT. IID	002003F	52610	1
4-P	PILOT ORIFICE NAT IID .020	003903F	613722	1
7-P	PILOT MOUNTING BRACKET	306692	604694	1
9-P	PILOT TUBE	004078F	605193	1
10-P	HI TENSION WIRE IID	N/A	N/A	1
11-P	PILOT SHIELD	010351F	904452	1

SHEETMETAL				
ITEM NO	DESCRIPTION	PART NUMBER	LESLIE'S SKU	QTY
1-S	JACKET TOP (LOUVERED)	010048F	626667	1
2-S	FLUE COLLECTOR	010072F	403534	1
3-S	DOOR ASSY	016698F	**	1
4-S	ACCESS PANEL SET (3 PCS)	010311F	403539	1
5-S	JACKET SIDE PANEL RIGHT	010376F	901308	1
6-S	JACKET SIDE PANEL LEFT	010377F	324462	1
7-S	JACKET REAR PANEL (2 PCS)	010373F	403547	1
10-S	BASE HEAT SHIELD	010320F	902971	1
11-S	UP FRONT CONTROL PANEL	013892F	625557	1
12-S	HIGH LIMIT SHIELD	010342F	625559	1
13-S	WEATHER SHIELD	010326F	903526	1