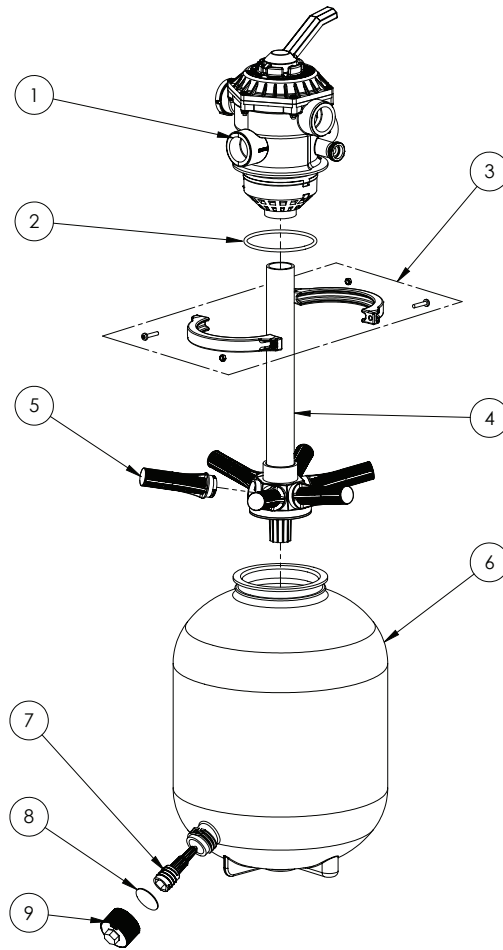


JACUZZI JSA

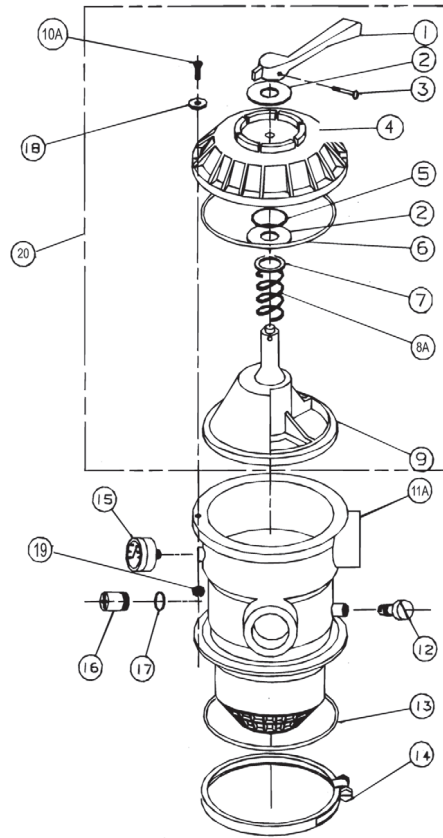
// Above Ground Sand Filter



ITEM NO	DESCRIPTION	PART NUMBER	LESLIE'S SKU	QTY
1	VALVE, 1.5"	262506	223696	1
2	O-RING, VALVE BODY	272541	608174	1
3	CLAMP ASSEMBLY	152165	603418	1
4	PIPING ASSEMBLY – JSA 16"	152229	622646	1
4	PIPING ASSEMBLY – JSA 19"	152228	622642	1
5	LATERAL	150084	622281	6
6	TANK ASSEMBLY – JSA 16"	145364	622645	1
6	TANK ASSEMBLY – JSA 19"	145365	622655	1
7	SAND DRAIN	154711	315857	1
8	GASKET, SAND DRAIN	154715	631238	1
9	DRAIN CAP	154712Z	903814	1
NOT SHOWN	MOUNTING BASE	155333P	315859	1
NOT SHOWN	PRESSURE GAUGE	75033	677690	1
NOT SHOWN	FLEX HOSE KIT, 6 FT	155151	N/A	1
NOT SHOWN	PUMP TO FILTER HOSE – 16"	154785	232410	1
NOT SHOWN	PUMP TO FILTER HOSE – 19"	154786	232411	1

JACUZZI JSA

// Valve Replacement Parts



ITEM NO	DESCRIPTION	PART NUMBER	LESLIE'S SKU	QTY
1	HANDLE	272520	44321	1
2	WASHER, PLASTIC (2 REQ)	272505	603060	1
3	SCREW, HANDLE	272405	44937	1
4	VALVE POSITION LABEL	272599	602377	1
5	O-RING, DIVERTER SHAFT	272511	673331	1
6	O-RING, TOP	354053	66524	1
7	WASHER	272401	603176	1
8	SPRING, 100 LB, 1-3/8 O.D.	272535	602382	1
8A	SPRING, 100 LB, 1-13/16 O.D.	272400	603175	1
9	DIVERTER W/ GASKET	272512	603059	1
10A	354541 SCREW, #10-24 HEX (6 REQ.)	354541	609044	1
11A	VALVE BODY & DIFFUSER	272530	603202	1
12	AIR BLEEDER W/ O-RING	273512	44627	1
13	O-RING, SEAL	272541	404590	1
14	CLAMP	152165	677724	1
15	PRESSURE GAUGE	75033	677690	1
16	SIGHT GLASS	272550	602380	1
17	GASKET, SIGHT GLASS	271106	608706	1
18	WASHER 9/16 SS (6 REQ)	272555	602378	1
19	NUT SERRATED SS (6 REQ)	272554	602379	1
20	VALVE TOP ASSEMBLY	272531	603201	1