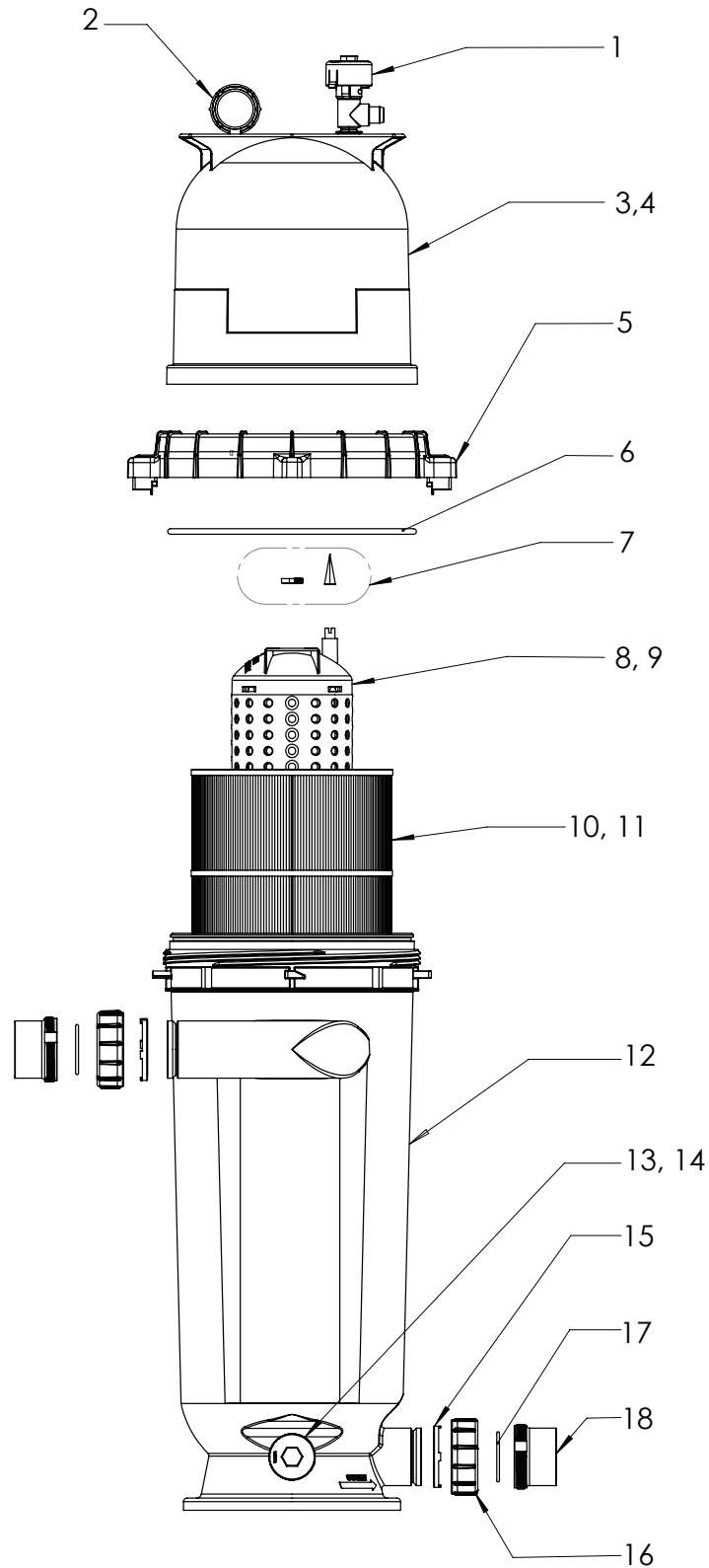


JACUZZI JCA

// Above Ground Cartridge Filter



ITEM NO	DESCRIPTION	PART NUMBER	LESLIE'S SKU	QTY
1	MANUAL AIR RELIEF VALVE	98209800	44016	1
2	PRESSURE GAUGE	75032	677511	1
3	LID, 100 SQ FT FILTER	59053001Z	367684	1
4	LID, 150 SQ FT FILTER	178745Z	368387	1
5	LOCKING RING ASSEMBLY	59052900	602229	1
6	BODY O-RING	87300400	66105	1
7	AIR BLEED SOCK KIT	59016200	602227	1
8	CENTER CORE 100 SQ FT FILTER	59053700	602224	1
9	CENTER CORE 150 SQ FT FILTER	59053800	602223	1
10	CARTRIDGE ELEMENT 100 SQ FT FILTER	R173215	46063	1
11	CARTRIDGE ELEMENT 150 SQ FT FILTER	R173216	46064	1
12	TANK BOTTOM	178743Z	46052	1
13, 14	DRAIN CAP ASSEMBLY	190030	622420	1
15	UNION NUT "C" CLIP	178732Z	367638	1
16	UNION NUT	U11-200PS	600471	1
17	UNION DIAMOND SEAL	178746Z	367637	1
18	UNION, THREADED HALF	178733Z	322964	1
NOT SHOWN	PUMP TO FILTER HOSE	154784	322912	1