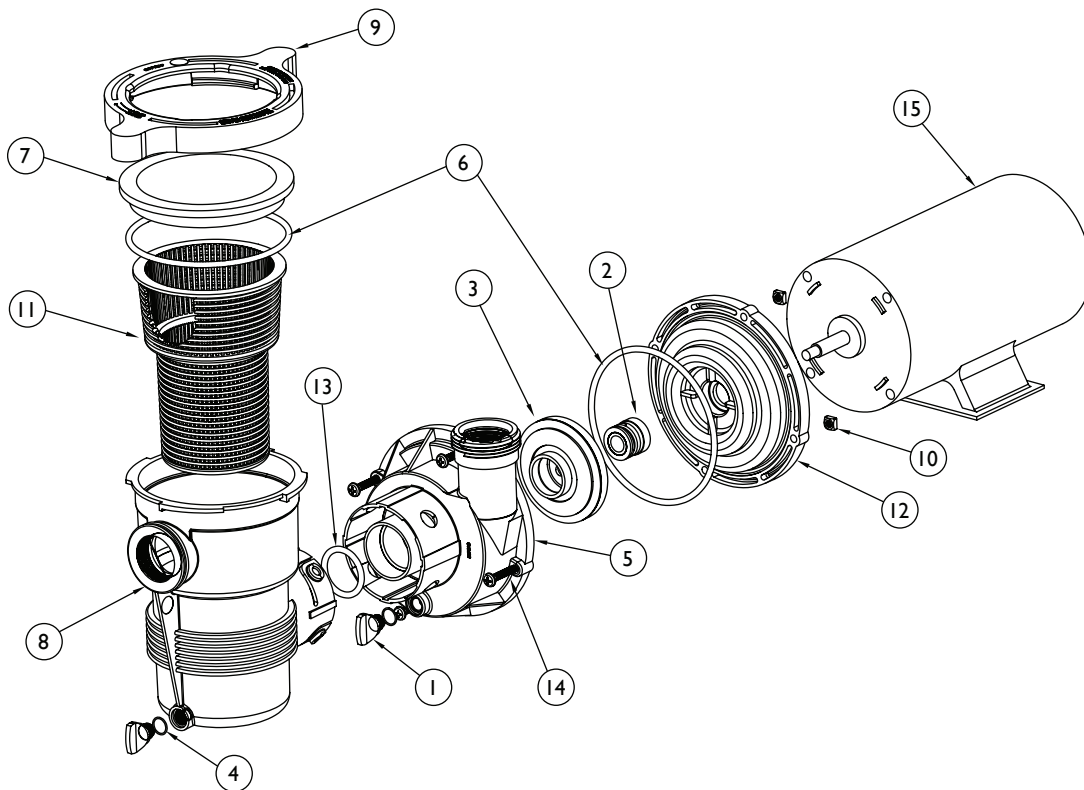


JACUZZI JPA

// Pro Grade Above Ground Pump



ITEM No	DESCRIPTION	PART NUMBER	LESLIE'S SKU	QTY
1	DRAIN PLUG (3 REQ)	357161	230483	1
2	MECHANICAL SEAL	354545S	300156	1
3	IMPELLER – 1 HP, 1.5 HP SPL	350017	622521	1
4	O-RING (3 REQ)	192115	66528	1
5	VOLUTE ASSEMBLY	357213	622367	1
6	ORING 2-357, (2 REQ.)	357255	368888	1
7	LID	357227	622335	1
7	LID, CHEMICAL RESISTANT	357323	622331	1
8	POT ASSEMBLY	357228	622383	1
9	CLAMP RAM & CAM	357239	622340	1
10	1/4-20 SQUARE NUT, (4 REQ.)	357254	622345	1
11	BASKET	355667	605471	1
12	SEAL PLATE	357215	357215	1
13	O-RING	350103	66640	1
14	1/4-20 X 1.5 MACHINE SCREW (4 REQ.)	98209000	609047	1
15	MOTOR – 1 HP, SINGLE SPEED	BN25V1	38630	1
15	MOTOR – 1 HP, 1.5 SPL TWO-SPEED	BN50V1	425511	1
NOT SHOWN	CORD – 3 FT STANDARD 15 AMP PLUG	79137800	632404	1
NOT SHOWN	CORD – 3 FT TWIST LOCK 15 AMP PLUG	155234	631239	1

*Contact Jacuzzi Hotline at 1-844-615-8994 for additional replacement motor information.