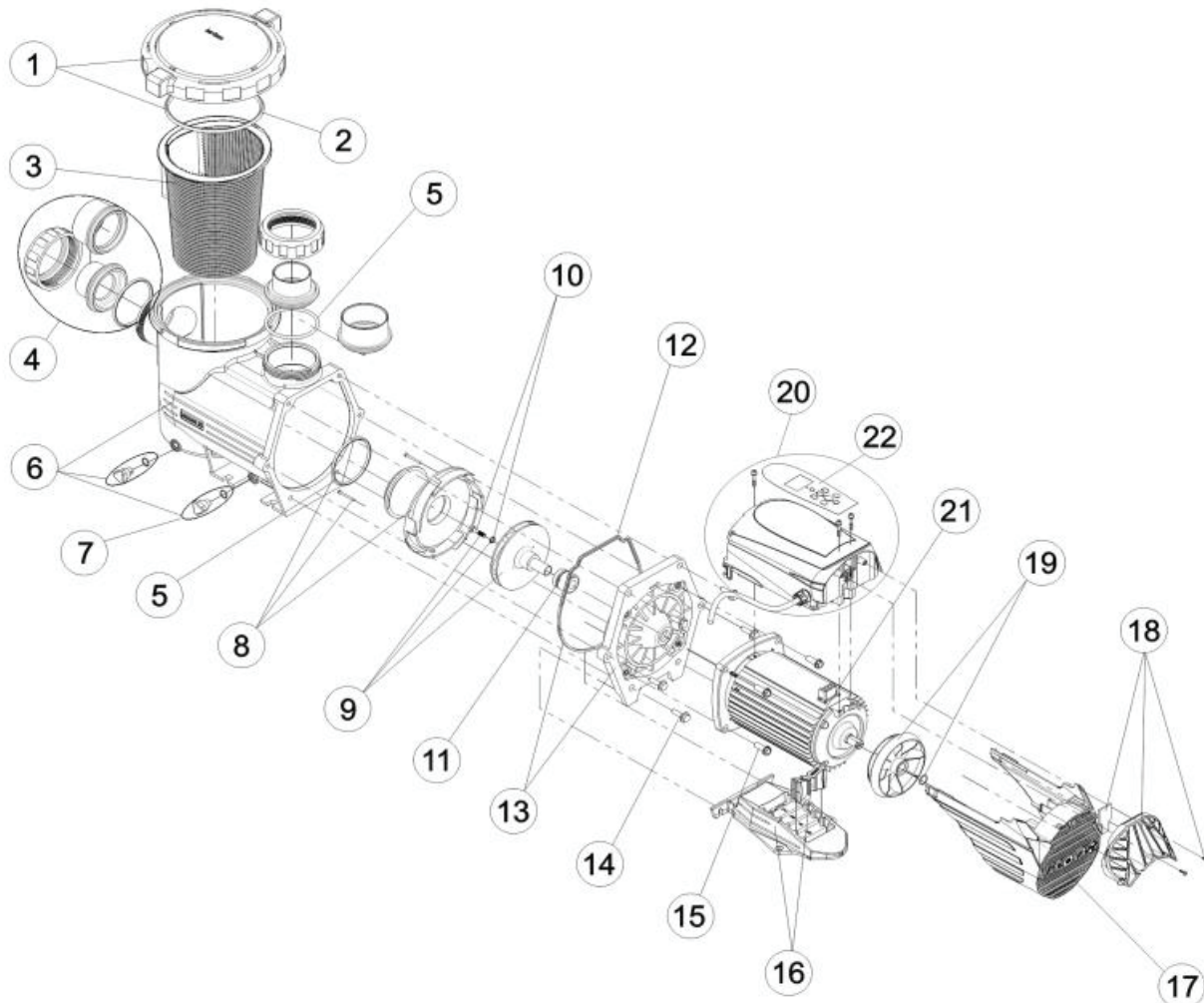


# JACUZZI J VX300

// Variable Speed Pump



ITEM NO	DESCRIPTION	PART NUMBER	LESLIE'S SKU	QTY
1	LID COMPLETE WITH O-RING	40069	677498	1
2	LID O-RING	75076	677748	1
3	LINT BASKET	40066	677495	1
4	PIPE FITTING COMPONENT BAG	78304	677575	1
5	PUMP WETEND (INCLUDES LINT BASKET, 2 DRAIN PLUGS, O-RINGS)	40079	677629	1
6/7	DRAIN PLUG W/ O-RING	7820710	677741	2
8/9/13	IMPELLER KIT	53795	677749	1
14	SEAL PLATE TO WETEND BOLTS	401504	677734	1
15	MOTOR RETAINING BOLT	401564	677736	1
16	MOTOR FOOT ASSEMBLY	40050	677735	1
18	MOTOR PLASTIC FAN COWL	70614	677743	1
19	MOTOR COOLING FAN & RETAINING CLIP	402852	677744	1

ITEM NO	DESCRIPTION	PART NUMBER	LESLIE'S SKU	QTY
20	CONTROLLER & LABEL	21495	677750	
21	MOTOR	71462	677751	1
22	CONTROLLER LABEL	LABEL441	950981	1
NOT SHOWN	ELECTRICAL JUNCTION BOX COMPLETE	70613	677628	1
NOT SHOWN	PUMP HEIGHT ADJUSTING BASE	78706	677630	1
NOT SHOWN	MOTOR BEARINGS – PAIR	713002	677747	1
NOT SHOWN	INSTRUCTION MANUAL	INST448	N/A	1