

⚠ WARNING

To reduce the risk of drowning, entrapment, falls, paralysis, electrocution, or other serious injury or death:

Dealer/Installer: Give manual to homeowner.

Installer: Read "**Safe Installation**" on page # 2 and all instructions before beginning. For proper assembly and installation, instructions must be followed completely.

Homeowner: Read "**Safe Use**" on back cover before using. Save these instructions. Installation must comply with local codes and may require permits.

MODEL STEP-1X ABOVE GROUND POOL STEPS

ASSEMBLY, INSTALLATION AND USE MANUAL

Assembly video available online: www.conferplastics.com

WEIGHT LIMIT 400 LBS.



**Note: 40 lbs.
of sand
required!
(See Step 8)**



Made in the U.S.A. by
CONFER
plastics inc.

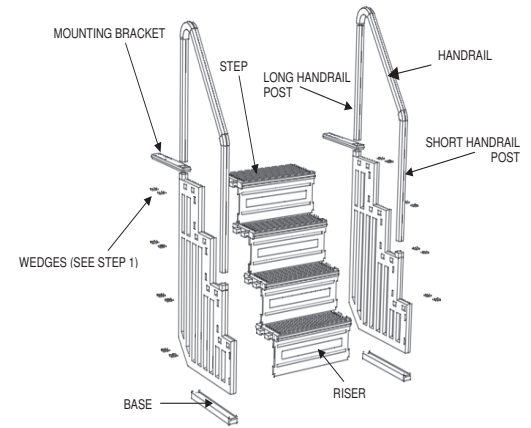
www.conferladders.com

CONFER-STEP MODEL # STEP-1X

Inpool Steps from Confer Plastics

NOTE: FOR INSTALLATION ON FLAT BOTTOM ABOVE GROUND POOLS ONLY. NOT FOR DISHED/SLOPED BOTTOMS

PARTS LIST		HARDWARE		TOOLS NEEDED FOR ASSEMBLY:
Qty	Description	Qty	Description	
2	Bases	22	#10 x 1-1/4" Screw	<ul style="list-style-type: none"> Mallet or hammer and block of wood Phillips Screwdriver Cordless Drill 1/8" Drill Bit Knife Pliers Liquid Soap or Spray Lubricant Sand (approximately 40 lbs.)
2	Side Panels	2	Label - No Jumping/Diving	
2	Handrails	2	Mounting Brackets	
2	Long Handrail Posts			
2	Short Handrail Posts			
4	Risers			
4	Steps (with 16 wedges)			
	See Step 1			



Safe Installation

⚠️ WARNING

To reduce the risk of electrocution, drowning, entrapment, falls, or other serious injury or death:

Check building codes/permitting. Consult your local Building Department before installation of your pool and equipment. Pool/equipment installation must comply with the codes of the authority having jurisdiction and may require permits (e.g., building, plumbing, electrical, zoning, etc.).

Use for intended purpose only

- Use only as a swimming pool ladder.
- This ladder is designed and manufactured for a specific pool wall height and/or deck of the pool - check product specification and the height of your pool.

Check that you have all required parts. Check the contents of the carton with the Parts List for this ladder. All parts and hardware are required. If any parts are missing, **DO NOT attempt to assemble or install the ladder.** Instead, call Toll Free U.S. - 800-635-3213 or visit our web site at www.conferladders.com for assistance.

Select an appropriate location - The ladder must be located on a level, solid base and in a location that will be in full view of competent adult supervision when in use.

Follow all instructions

- For stable, correct assembly and installation, all instructions must be followed completely and in the sequence shown.
- Follow the manufacturer's recommendations for the safe use of all hand tools and equipment used during installation.

Cordless drill only - no corded drills near pool. Use a cordless drill for assembly and installation. To reduce the risk of electrocution, NEVER use a corded drill in or around a pool.

Lift safely. When lifting awkward or heavy loads, have another person help you.

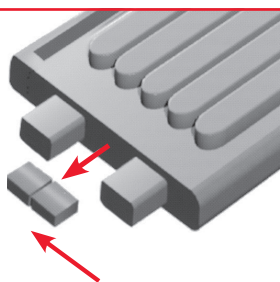
Double check after installation

- Before using the product, after assembly and installation, go over the instructions and procedures again to make sure nothing has been overlooked.
- Make sure that safety labels are installed and legible.

Step 1

Using pliers remove the locking wedges from both ends of each step and **SAVE**.

The four handrail posts are joined together as one unit and must be separated before starting assembly. Using a sharp knife, carefully cut the posts apart. When finished you will have two long posts and two short posts as required in step #7.

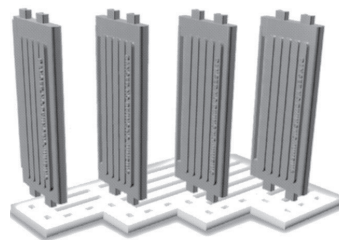


Remove wedges and save for Step 5.

Step 2

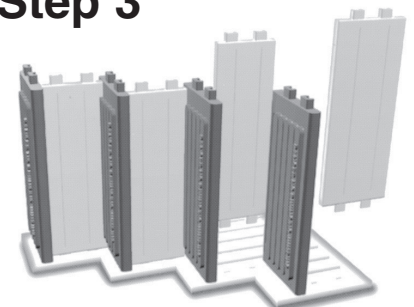
Make sure wording is facing forward.

Lay one of the side panels down on a clean, flat surface. Push the end of each step into the openings of the side panel. Make sure that the riser groove in the top of each step is lined up with the riser recess in the side panel and the engraved markings "Danger No Jumping/No Diving" are facing toward the front of the unit.

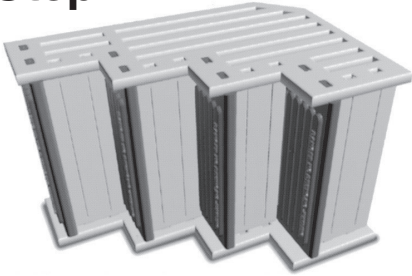


Step 3

Insert a riser between each of the steps so that the ends of the risers align in the riser recesses on the same panel.
Note: Position riser so center hole faces "back" of steps.

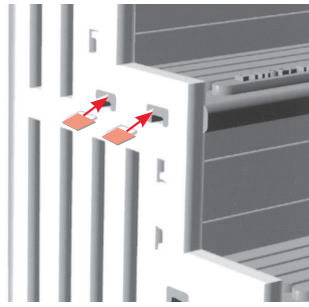


Step 4



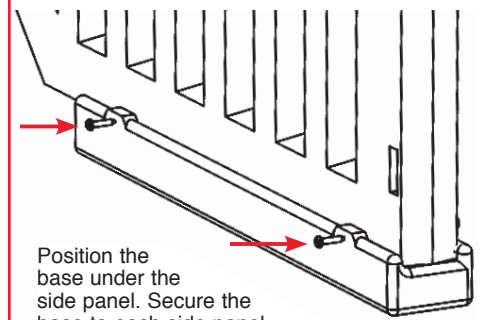
Position the second side panel over the steps and risers and press the panel down so that each step and riser are fully seated into the second side panel. It may be necessary to tap the side panel, using a mallet or a hammer and block of wood, to fully seat it.

Step 5



Secure each step by fully inserting the locking **wedges**, saved from step #1, between the side panel and the top surface of both ends of each step.

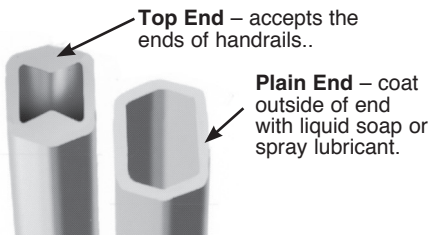
Step 6



Position the base under the side panel. Secure the base to each side panel with four #10 x 1-1/4" screws. Use the molded locators on each tab of the base.

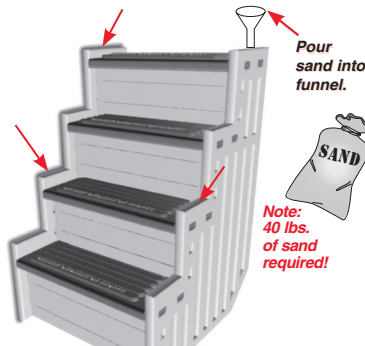
Step 7

Place the assembled unit on the deck near the pool. Note that there are two sets of handrail posts—one set 36-1/4" long and one set 43-1/2" long. Also note that the inside ends of each handrail post are formed differently - the "top" end is H-shaped inside to accept the ends of the handrails and the opposite end is the "plain end" (the end to be inserted into the side panels). Spray the "plain ends" of all four handrail posts with liquid soap or spray lubricant.



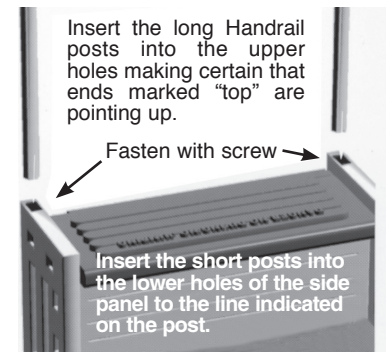
Step 8

IMPORTANT: To prevent floating you **MUST** do the following: Pour about 10 pounds of dry sand into each of the four openings indicated above. Shake unit to distribute the sand evenly. Adding water may also help to distribute the sand.



Step 8a.

Fasten the long Handrail posts to the side panels with one #10 x 1-1/4" screw per post approximately one inch (1") below the mouth of the hole in which the post is inserted into the side panel.



STOP! If you are assembling this unit for use with an enclosure kit or SIG system **do not** attach the mounting brackets. Affix the "No diving" labels as indicated in step 9 below and continue to step 10.

Step 9

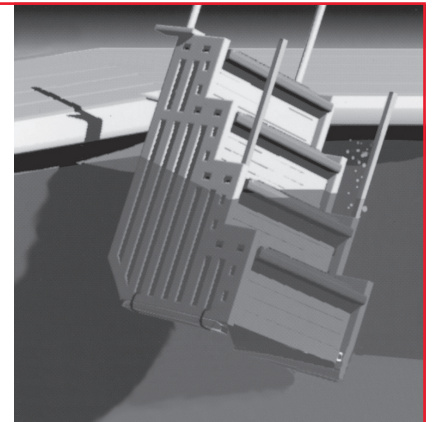
Spray the inside opening of the mounting brackets with liquid soap or spray lubricant and slide a mounting bracket over each of the two higher handrail posts so that they extend out away from the steps. Affix the two "No jumping – No diving" stickers to the upper end of one of the handrail posts, one facing the pool and one facing away from the pool.



Step 10

WARNING! Pool step will be heavy. Have additional help. Do not attempt to place the step by yourself.

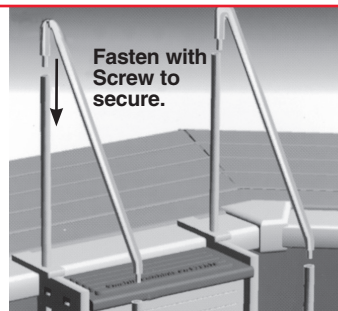
Carefully place the assembled unit into the pool and tip it 45° to the left, right and forward to fill steps with water. Repeat if steps continue to float



STOP! If you are assembling this unit for use with an enclosure kit or SIG system refer to the instructions supplied with the kit. **Do not** attach the handrails to the posts as described below.

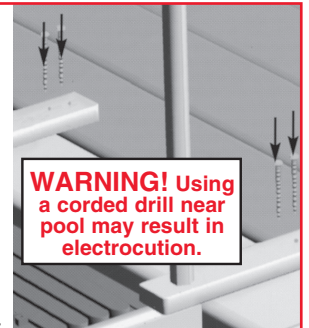
Step 11

Spray the ends of the handrails with liquid soap or spray lubricant and slip the ends of the handrails into the open ends of the posts until they are fully seated. Secure in place using one #10 x 1-1/4" screw per post.



Step 12

Position the unit, between upright posts of the pool, so that the handrail posts are as close as possible to the pool top seat. Slide the mounting brackets down until they reach the deck surface. Fasten to the deck surface by drilling two 1/8" pilot holes with a cordless drill, using the preformed holes in the mounting brackets as guides. If the bracket is not long enough to reach the deck surface it will be necessary to extend that part of the deck surface so that the brackets can be fastened down. Secure with two #10 x 1-1/4" screws per bracket. After fastening the unit to the deck secure the brackets to the handrail posts using one #10 x 1-1/4" screw per bracket.



Note: After assembly you will have two extra #10 x 1-1/4" screws.

Safe Use

⚠️ WARNING

To reduce the risk of drowning, entrapment, falls, paralysis, electrocution, or other serious injury or death:

Use step system properly.

- No diving or jumping from steps - shallow water; risk of paralysis or death.
- ONE PERSON ON THE LADDER/STAIR AT A TIME.
- Illuminate the steps when using the pool at night.

Weight limit - 400 lbs maximum. Exceeding maximum weight may cause the stairs to fail.

Secure stairs when not in use. When pool is not in use, make sure gate is closed and locked.

Watch children at all times when they are in or around water to help prevent drowning.

WINTERIZING / REMOVING STEP FROM POOL

PLAN AHEAD - PEOPLE WILL HAVE TO GET IN THE POOL TO MOVE OR REMOVE THE STEP.

When winterizing your pool, if you decide to leave the pool step in the pool be sure to detach the step from the pool deck and move the step towards the center of the pool and away from the pool wall. Remove any outside steps or ladders from the pool area to eliminate access to the pool.

If you decide to remove your pool step from the pool:

⚠️ WARNING

Pool step will be heavy and must be lifted from within the pool. Have additional help if you move the step or choose to remove it from swimming pool. Do not attempt to do this by yourself - 2-3 people are required to move pool step safely. DO NOT lift pool step by handrails or handrail posts - they may detach, possibly resulting in a fall.

Remove any outside steps or ladders from the pool area to eliminate access to the pool.

To remove the step start by disconnecting both of the mounting brackets from the deck. From inside the pool position one person on each side of the step, grip the bottom of the side panels and carefully lift the step high enough to start tilting back on the pool deck. **DO NOT LIFT STEP BY HANDRAILS, POSTS OR TOP TREAD. THE HANDRAILS, POSTS AND TOP TREAD WILL NOT SUPPORT THE WEIGHT OF THE POOL STEP AND MAY DETACH OR BREAK, RESULTING IN A FALL OR INJURY.**

With most of the weight off the step, continue lifting and tilting back on to deck. Leave the step lying on its back edges for a couple of hours to drain the water. Once the water is drained stand the step up.

With the water drained your Confer step can be stored outside during the off season, it is not necessary to store inside.

To reinstall, follow installation instructions steps 10-12.

Options available – To make an up-and-over step system with gate as shown for your pool purchase our #Step-Enc Enclosure Kit and an additional #Step-1X.



Contact your dealer or check online at www.conferladders.com

CONFER PLASTICS INC. FIVE YEAR WARRANTY

Confer Plastics Inc. warrants their swimming pool ladders and steps to be free from defects in workmanship for five years from date of purchase.

DO NOT RETURN DEFECTIVE PART TO DEALER

E-MAIL CONFER PLASTICS AT: LADDERS@CONFERPLASTICS.COM

A PICTURE [S] OF DEFECTIVE PART, A BRIEF DESCRIPTION OF PROBLEM, PROOF OF PURCHASE AND YOUR CONTACT INFORMATION.

INFORMATION MAY ALSO BE FAXED TO CONFER PLASTICS AT: **716-694-3102** OR MAILED TO THE ADDRESS BELOW. UPON REVIEW OF THE INFORMATION YOU WILL BE NOTIFIED IF PART IS COVERED UNDER THE WARRANTY AND THE SHIPPING/HANDLING CHARGES.

This warranty gives you specific legal rights, and you may also have other rights which may vary from state to state.

Confer Plastics Inc.
97 Witmer Road
North Tonawanda, N.Y. 14120-2421

MADE IN THE USA



CONFER
plastics inc.

97 Witmer Road
North Tonawanda, New York 14120-2421
Toll Free U.S. 800-635-3213
FAX 716-694-3102
www.conferladders.com