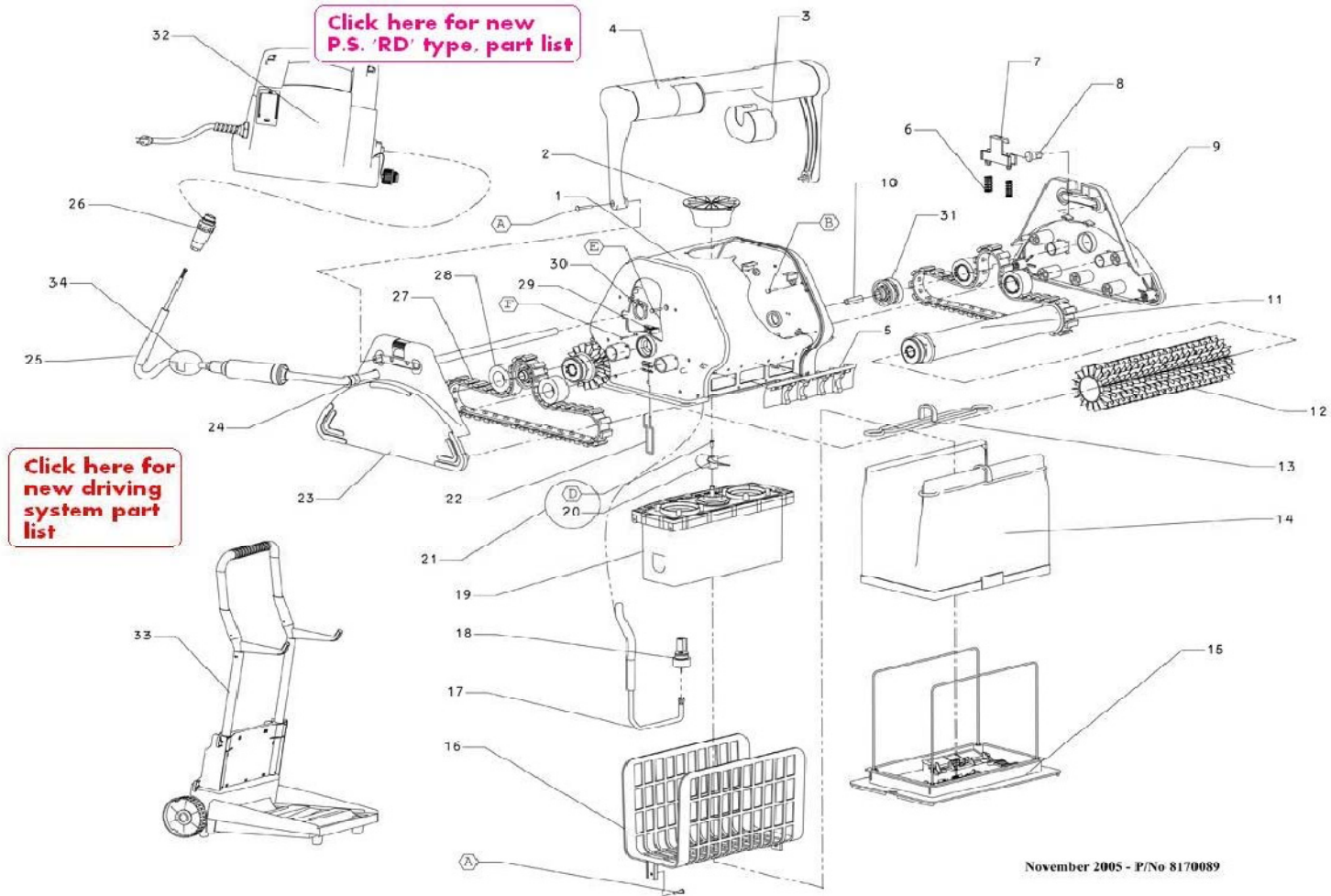




## ILLUSTRATED BILL OF MATERIAL FOR CONSUMER REPLACEABLE PARTS DOLPHIN 3001 (9999321)



For consumers, dolphin parts are available through Dolphin dealers and authorized repair centers. Please visit our dealer locator to find the closest Dolphin dealer in your area at:

[http://www.maytronicsus.com/en-us/where\\_to\\_buy/store-locator/](http://www.maytronicsus.com/en-us/where_to_buy/store-locator/)

For dealers, parts are available through distribution or through Optimus at: <http://www.optimusparts.com/>

# BILL OF MATERIAL

## 9999321 -- DOLPHIN 3001

Number	Child Part Number	Part Description	DIY
2	9995075	IMPELLER TUBE-RED	Y
3	9995741	HANDLE FLOAT - YELLOW	Y
4	9995685	HANDLE RED AND YELLOW	Y
12	6101303	PVC BRUSH DIAG - RED	Y
13	9981430	FILTER BAG CLIP	Y
14	9995431-ASSY	COARSE FILTER BAG	Y
14	9991440-ASSY	DISPOSABLE FILTER BAG -PACK OF 5	Y
15	9995550	BOTTOM LID ASSY+SUPPORT (2005)	Y
16	6203703	FILTER SCREEN	Y
21	9995269	IMPELLER+SCREW DC	Y
32	9995658-ASSY	P.S.DIAGNOSTIC 115V	Y
33	9996092	DOLPHIN CADDY	Y
34	99960086	CABLE FLOAT L.BLUE	Y